

# PARTS LIST

## CAUTION

- The parts identified by the  $\triangle$  symbol are important for the safety . Whenever replacing these parts, be sure to use specified ones to secure the safety .
- The parts not indicated in this Parts List and those which are filled with lines --- in the Parts No. columns will not be supplied .
- P. W. Board Ass'y will not be supplied, but those which are filled with the Parts No. in the Parts No. columns will be supplied .

## ABBREVIATIONS OF RESISTORS, CAPACITORS AND TOLERANCES

| RESISTORS |  | CAPACITORS      |   |
|-----------|--|-----------------|---|
| C R       | Carbon Resistor                                  | C CAP.          | Ceramic Capacitor                             |
| F R       | Fusible Resistor                                 | E CAP.          | Electrolytic Capacitor                        |
| P R       | Plate Resistor                                   | M CAP.          | Mylar Capacitor                               |
| V R       | Variable Resistor                                | HV CAP.         | High Voltage Capacitor                        |
| HV R      | High Voltage Resistor                            | MF CAP.         | Metalized Film Capacitor                      |
| MF R      | Metal Film Resistor                              | MM CAP.         | Metalized Mylar Capacitor                     |
| MG R      | Metal Glazed Resistor                            | MP CAP.         | Metalized Polystyrol Capacitor                |
| MP R      | Metal Plate Resistor                             | PP CAP.         | Polypropylene Capacitor                       |
| OM R      | Metal Oxide Film Resistor                        | PS CAP.         | Polystyrol Capacitor                          |
| CMF R     | Coating Metal Film Resistor                      | TF CAP.         | Thin Film Capacitor                           |
| UNF R     | Non-Flammable Resistor                           | MPP CAP.        | Metalized Polypropylene Capacitor             |
| CH V R    | Chip Variable Resistor                           | TAN. CAP.       | Tantalum Capacitor                            |
| CH MG R   | Chip Metal Glazed Resistor                       | CH C CAP.       | Chip Ceramic Capacitor                        |
| COMP. R   | Composition Resistor                             | BP E CAP.       | Bi-Polar Electrolytic Capacitor               |
| LPTC R    | Linear Positive Temperature Coefficient Resistor | CH AL E CAP.    | Chip Aluminum Electrolytic Capacitor          |
|           |  | CH AL BP CAP.   | Chip Aluminum Bi-Polar Capacitor              |
|           |  | CH TAN. E CAP.  | Chip Tantalum Electrolytic Capacitor          |
|           |  | CH AL BP E CAP. | Chip Tantalum Bi-Polar Electrolytic Capacitor |

| RESISTORS |     |     |      |      |      |              |              |              |             |
|-----------|-----|-----|------|------|------|--------------|--------------|--------------|-------------|
| F         | G   | J   | K    | M    | N    | R            | H            | Z            | P           |
| ±1%       | ±2% | ±5% | ±10% | ±20% | ±30% | +30%<br>-10% | +50%<br>-10% | +80%<br>-20% | +100%<br>0% |

# CONTENTS

|  |           |
|--|-----------|
| <b>USING P.W. BOARD &amp; REMOTE CONTROL UNIT .....</b>  | <b>39</b> |
| <b>EXPLODED VIEW PARTS LIST .....</b>  | <b>40</b> |
| <b>EXPLODED VIEW .....</b>   | <b>41</b> |
| <br>   |           |
| <b>PRINTED WIRING BOARD PARTS LIST (AV-36D202/AR)</b>  |           |
| MAIN PW BOARD ASS'Y .....  | 42        |
| CRT SOCKET PW BOARD ASS'Y .....  | 45        |
| FRONT CONTROL PW BOARD ASS'Y .....   | 45        |
| FRONT AV INPUT PW BOARD ASS'Y .....  | 46        |
| AV SELECTOR PW BOARD ASS'Y .....   | 46        |
| <b>REMOTE CONTROL UNIT PARTS LIST (RM-C303G-1A).....</b>   | <b>47</b> |
| <b>DIFFERENCE PARTS LIST BETWEEN AV-36D202/AR, AV-36D202/AH, AV-36D202/AM AND AV-36D202/AY .....</b> | <b>48</b> |
| <br>   |           |
| <b>PRINTED WIRING BOARD PARTS LIST (AV-36D302/AR)</b>  |           |
| MAIN PW BOARD ASS'Y .....  | 49        |
| CRT SOCKET PW BOARD ASS'Y .....  | 49        |
| FRONT CONTROL PW BOARD ASS'Y .....   | 49        |
| FRONT AV INPUT PW BOARD ASS'Y .....  | 49        |
| AV SELECTOR PW BOARD ASS'Y .....   | 49        |
| <b>REMOTE CONTROL UNIT PARTS LIST (RM-C303G-1A).....</b>   | <b>49</b> |
| <b>DIFFERENCE PARTS LIST BETWEEN AV-36D302/AR, AV-36D302/AH, AV-36D302/AM AND AV-36D302/AY .....</b> | <b>50</b> |
| <br>   |           |
| <b>PRINTED WIRING BOARD PARTS LIST (AV-36D502/AR)</b>  |           |
| MAIN PW BOARD ASS'Y .....  | 51        |
| CRT SOCKET PW BOARD ASS'Y .....  | 54        |
| FRONT CONTROL PW BOARD ASS'Y .....   | 54        |
| FRONT AV INPUT PW BOARD ASS'Y .....  | 54        |
| PIP PW BOARD ASS'Y .....   | 54        |
| AV SELECTOR PW BOARD ASS'Y .....   | 55        |
| <b>REMOTE CONTROL UNIT PARTS LIST (RM-C301G-2A).....</b>   | <b>57</b> |
| <b>DIFFERENCE PARTS LIST BETWEEN AV-36D502/AR, AV-36D502/AH, AV-36D502/AM AND AV-36D502/AY ...</b>   | <b>58</b> |
| <br>   |           |
| <b>PACKING / PACKING PARTS LIST .....</b>  | <b>59</b> |

## USING P.W. BOARD & REMOTE CONTROL UNIT

### [AV-36D202]

| <b>P.W.B ASS'Y</b>      | <b>Model</b> | <b>AV-36D202/AR</b> | <b>AV-36D202/AH</b> | <b>AV-36D202/AM</b> | <b>AV-36D202/AY</b> |
|-------------------------|--------------|---------------------|---------------------|---------------------|---------------------|
| MAIN PW BOARD           |              | SGC-1016A-M2        | SGC-1017A-M2        | SGC-1018A-M2        | SGC-1015A-M2        |
| CRT SOCKET PW BOARD     |              | SGC-3007A-M2        | SGC-3008A-M2        | SGC-3006A-M2        | SGC-3010A-M2        |
| FRONT CONTROL PW BOARD  |              | SGC-8501A-M2        | ←                   | ←                   | ←                   |
| FRONT AV INPUT PW BOARD |              | SGC-8601A-M2        | ←                   | ←                   | ←                   |
| AV SELECTOR PW BOARD    |              | SGC0S002A-M2        | ←                   | ←                   | ←                   |
| REMOTE CONTROL UNIT     |              | RM-C303G-1A         | ←                   | ←                   | ←                   |

### [AV-36D302]

| <b>P.W.B ASS'Y</b>      | <b>Model</b> | <b>AV-36D302/AR</b> | <b>AV-36D302/AH</b> | <b>AV-36D302/AM</b> | <b>AV-36D302/AY</b> |
|-------------------------|--------------|---------------------|---------------------|---------------------|---------------------|
| MAIN PW BOARD           |              | SGC-1016A-M2        | SGC-1017A-M2        | SGC-1018A-M2        | AGC-1015A-M2        |
| CRT SOCKET PW BOARD     |              | SGC-3007A-M2        | SGC-3008A-M2        | SGC-3006A-M2        | SGC-3010A-M2        |
| FRONT CONTROL PW BOARD  |              | SGC-8501A-M2        | ←                   | ←                   | ←                   |
| FRONT AV INPUT PW BOARD |              | SGC-8601A-M2        | ←                   | ←                   | ←                   |
| AV SELECTOR PW BOARD    |              | SGC0S002A-M2        | ←                   | ←                   | ←                   |
| REMOTE CONTROL UNIT     |              | RM-C303G-1A         | ←                   | ←                   | ←                   |

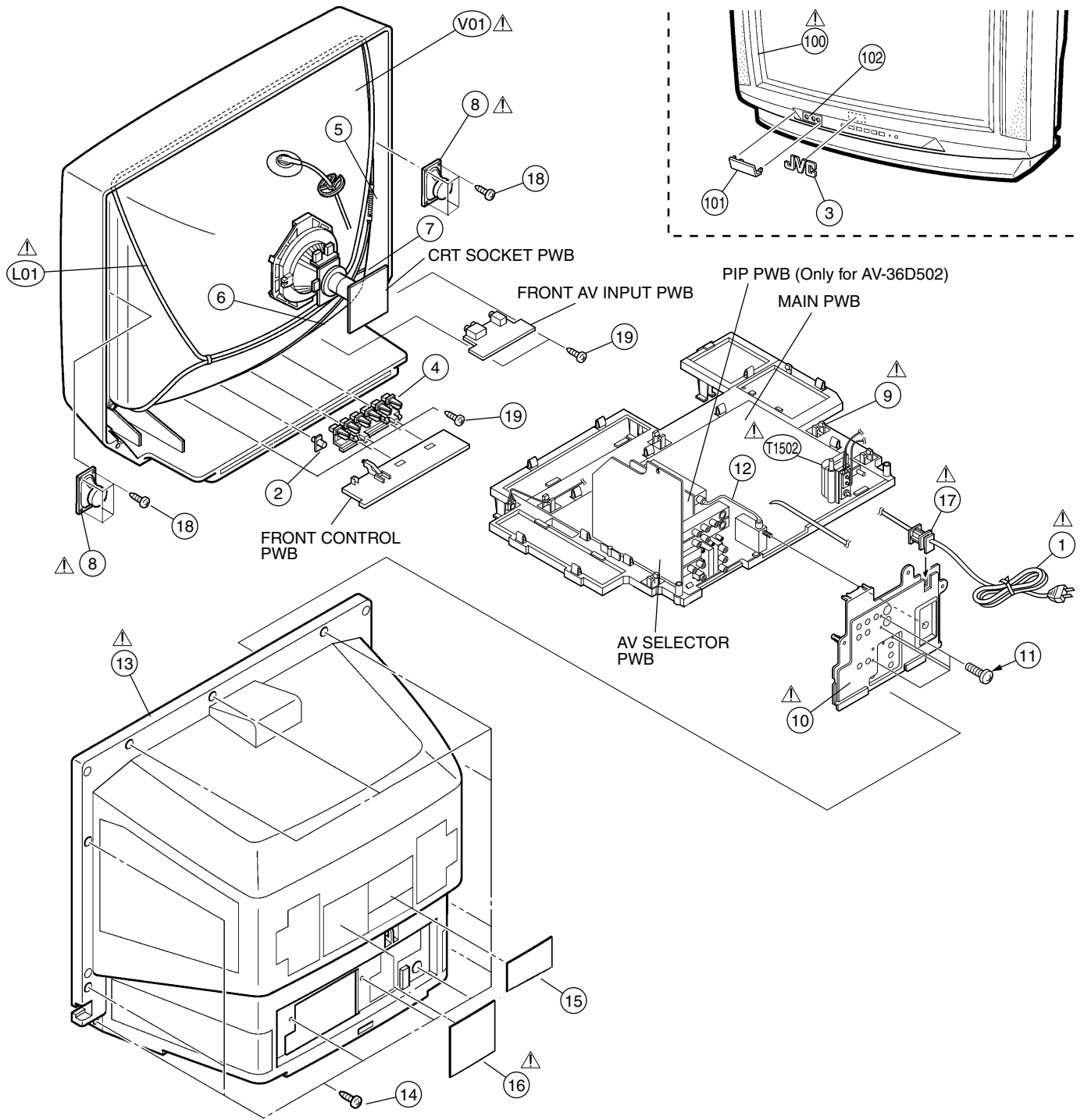
### [AV-36D502]

| <b>P.W.B ASS'Y</b>      | <b>Model</b> | <b>AV-36D502/AR</b> | <b>AV-36D502/AH</b> | <b>AV-36D502/AM</b> | <b>AV-36D502/AY</b> |
|-------------------------|--------------|---------------------|---------------------|---------------------|---------------------|
| MAIN PW BOARD           |              | SGC-1008A-M2        | SGC-1010A-M2        | SGC-1009A-M2        | SGC-1007A-M2        |
| CRT SOCKET PW BOARD     |              | SGC-3007A-M2        | SGC-3008A-M2        | SGC-3006A-M2        | SGC-3010A-M2        |
| FRONT CONTROL PW BOARD  |              | SGC-8501A-M2        | ←                   | ←                   | ←                   |
| FRONT AV INPUT PW BOARD |              | SGC-8601A-M2        | ←                   | ←                   | ←                   |
| PIP PW BOARD            |              | SGC0P001A-M2        | ←                   | ←                   | ←                   |
| AV SELECTOR PW BOARD    |              | SGC0S001A-M2        | ←                   | ←                   | ←                   |
| REMOTE CONTROL UNIT     |              | RM-C301G-2A         | ←                   | ←                   | ←                   |

# EXPLODED VIEW PARTS LIST

| △ Ref.No. | Part No.       | Part Name         | Description  | Local |
|-----------|----------------|-------------------|--|-------|
| △ L01     | CELD067-001JA  | DEG COIL          | (AV-36D202/AR & AH & AY, AV-36D302/AR & AH & AY, AV-36D502/AR & AH & AY) |       |
| △ L01     | QQW0114-001    | DEG COIL          | (AV-36D202/AM, AV-36D302/AM, AV-36D502/AM)                               |       |
| △ T1502   | QQH0092-001    | FBT               | Within MAIN PWB  |       |
| △ V01     | A90LPY30X04    | CRT               | Inc.DY(AV-36D202/AH, AV-36D302/AH, AV-36D502/AH)                         |       |
| △ V01     | A90LLD361X15   | CRT               | Inc.DY(AV-36D202/AM, AV-36D302/AM, AV-36D502/AM)                         |       |
| △ V01     | A90AEJ15X01    | CRT               | Inc.DY(AV-36D202/AR, AV-36D302/AR, AV-36D502/AR)                         |       |
| △ V01     | A90AHH50X10/V/ | CRT               | Inc.DY(AV-36D202/AY, AV-36D302/AY, AV-36D502/AY)                         |       |
| △ 1       | QMPD200-200-JC | POWER CORD        | CN10PW Within MAIN PWB   |       |
| 2         | LC30191-002A-A | REMOCON LENS      |  |       |
| 3         | CM46084-A01    | JVC MARK          | (AV-36D202)  |       |
| 3         | CM46084-002    | JVC MARK          | (AV-36D302, AV-36D502)   |       |
| 4         | LC20217-001C-A | CONTROL KNOB      | (AV-36D202)  |       |
| 4         | LC20217-005B-A | CONTROL KNOB      | (AV-36D302, AV-36D502)   |       |
| 5         | A48457-4-S     | SPRING            |  |       |
| 6         | WJY0016-003A   | BRAIDED WIRE      |  |       |
| 7         | WJY0013-005A   | BRAIDED WIRE(SUB) | (x2)   |       |
| △ 8       | CEBSS12D-04KJ2 | SPEAKER           | (x2) SP01, SP02  |       |
| △ 9       | LC10883-001C-A | CHASSIS BASE      |  |       |
| △ 10      | LC20899-001A-A | TERMINAL BOARD    | (AV-36D202, AV-36D302)   |       |
| △ 10      | LC20899-003A-A | TERMINAL BOARD    | (AV-36D502)  |       |
| 11        | QYSBSB3010Z    | TAPPING SCREW     | (x4)   |       |
| 12        | WJX0014-002A   | E-COAXIAL ASSY    | (Only for AV-36D502)   |       |
| △ 13      | LC10644-002A-A | REAR COVER        | (AV-36D202/AR, AV-36D302/AR, AV-36D502/AR & AY)                          |       |
| △ 13      | LC10644-002B-A | REAR COVER        | (AV-36D202/AH & AM & AY, AV-36D302/AH & AM & AY, AV-36D502/AH & AM)      |       |
| 14        | QYSBSFG4016Z   | TAPPING SCREW     | (x12)  |       |
| 15        | LC30684-005A-A | BBE LABEL         | (AV-36D202/AR, AV-36D302/AR, AV-36D502/AR & AY)                          |       |
| △ 16      | LC31139-001A-A | RATING LABEL      | (AV-36D202/AR, AV-36D302/AR, AV-36D502/AR & AY)                          |       |
| △ 16      | GQ30032-001A-A | RATING LABEL      | (AV-36D202/AH & AM & AY, AV-36D302/AH & AM & AY, AV-36D502/AH & AM)      |       |
| △ 17      | LC20106-001D-A | CORD CLAMP        |  |       |
| 18        | QYSBSB4012Z    | TAPPING SCREW     | (x8)   |       |
| 19        | QYSBSBG3010Z   | TAPPING SCREW     | (x5)   |       |
| △ 100     | LC10642-001G-A | FRONT CABI ASSY   | Inc.No.101-102(AV-36D202/AH & AM & AY)                                   |       |
| △ 100     | LC10642-004A-A | FRONT CABI ASSY   | Inc.No.101-102(AV-36D202/AR)   |       |
| △ 100     | LC10642-004B-A | FRONT CABI ASSY   | Inc.No.101-102(AV-36D302/AR, AV-36D502/AY)                               |       |
| △ 100     | LC10642-004C-A | FRONT CABI ASSY   | Inc.No.101-102(AV-36D502/AR)   |       |
| △ 100     | LC10642-004D-A | FRONT CABI ASSY   | Inc.No.101-102(AV-36D302/AH & AM & AY, AV-36D502/AH & AM)                |       |
| 101       | LC20409-001C-A | DOOR              | (AV-36D202/AR)   |       |
| 101       | LC20409-001D-A | DOOR              | (AV-36D202/AH & AM & AY)   |       |
| 101       | LC20409-005A-A | DOOR              | (AV-36D302/AR, AV-36D502/AR & AY)  |       |
| 101       | LC20409-005B-A | DOOR              | (AV-36D302/AH & AM & AY, AV-36D502/AH & AM)                              |       |
| 102       | CM48229-00A-C  | DOOR LATCH        | (AV-36D202/AR, AV-36D302/AR, AV-36D502/AR & AY)                          |       |
| 102       | PU60109        | CATCHER           | (AV-36D202/AH & AM & AY, AV-36D302/AH & AM & AY, AV-36D502/AH & AM)      |       |

# EXPLODED VIEW



**PRINTED WIRING BOARD PARTS LIST(AV-36D202/AR)****MAIN PW BOARD ASS'Y(SGC-1016A-M2)**

| △               | Symbol No. | Part No.     | Part Name | Description | Local | △               | Symbol No. | Part No.     | Part Name | Description | Local |
|-----------------|------------|--------------|-----------|-------------|-------|-----------------|------------|--------------|-----------|-------------|-------|
| <b>RESISTOR</b> |            |              |           |             |       | <b>RESISTOR</b> |            |              |           |             |       |
|                 | R1001      | NRSA63J-473X | MG R      | 47kΩ 1/16W  | J     |                 | R1512      | QRE121J-681Y | C R       | 680Ω 1/2W   | J     |
|                 | R1002      | NRSA63J-0R0X | MG R      | 0.0Ω 1/16W  | J     | △               | R1523      | QRJ146J-333X | C R       | 33kΩ 1/4W   | J     |
|                 | R1003-04   | NRSA63J-221X | MG R      | 220Ω 1/16W  | J     | △               | R1525      | QRZ9011-470  | F R       | 47Ω 1/2W    | J     |
|                 | R1011      | NRSA63J-820X | MG R      | 82Ω 1/16W   | J     |                 | R1526      | QRE121J-272Y | C R       | 2.7kΩ 1/2W  | J     |
|                 | R1012      | NRSA63J-182X | MG R      | 1.8kΩ 1/16W | J     |                 | R1527-28   | QRE121J-154Y | C R       | 150kΩ 1/2W  | J     |
|                 | R1013      | NRSA63J-562X | MG R      | 5.6kΩ 1/16W | J     |                 | R1529      | NRSA63J-331X | MG R      | 330Ω 1/16W  | J     |
|                 | R1014      | QRE121J-101Y | C R       | 100Ω 1/2W   | J     | △               | R1531      | QRJ146J-391X | C R       | 390Ω 1/4W   | J     |
|                 | R1015      | NRSA63J-180X | MG R      | 18Ω 1/16W   | J     |                 | R1532      | NRSA63J-273X | MG R      | 27kΩ 1/16W  | J     |
|                 | R1016      | NRSA63J-270X | MG R      | 27Ω 1/16W   | J     |                 | R1533-34   | NRSA63J-123X | MG R      | 12kΩ 1/16W  | J     |
|                 | R1018      | NRSA63J-104X | MG R      | 100kΩ 1/16W | J     | △               | R1535      | NRVA02D-222X | MF R      | 2.2kΩ 1/10W | D     |
|                 | R1020      | NRSA63J-332X | MG R      | 3.3kΩ 1/16W | J     | △               | R1537      | NRVA02D-752X | MF R      | 7.5kΩ 1/10W | D     |
|                 | R1021      | NRSA63J-123X | MG R      | 12kΩ 1/16W  | J     |                 | R1538      | NRSA63J-333X | MG R      | 33kΩ 1/16W  | J     |
|                 | R1022      | NRSA63J-151X | MG R      | 150Ω 1/16W  | J     |                 | R1543      | QRE121J-122Y | C R       | 1.2kΩ 1/2W  | J     |
|                 | R1023      | NRSA63J-101X | MG R      | 100Ω 1/16W  | J     |                 | R1544      | QRE121J-392Y | C R       | 3.9kΩ 1/2W  | J     |
|                 | R1024      | NRSA63J-102X | MG R      | 1kΩ 1/16W   | J     |                 | R1545      | QRE121J-822Y | C R       | 8.2kΩ 1/2W  | J     |
|                 | R1025      | NRSA63J-561X | MG R      | 560Ω 1/16W  | J     |                 | R1546      | NRSA63J-331X | MG R      | 330Ω 1/16W  | J     |
|                 | R1026      | NRSA63J-331X | MG R      | 330Ω 1/16W  | J     |                 | R1547      | NRSA63J-104X | MG R      | 100kΩ 1/16W | J     |
|                 | R1028      | NRSA63J-821X | MG R      | 820Ω 1/16W  | J     |                 | R1548      | QRE121J-152Y | C R       | 1.5kΩ 1/2W  | J     |
|                 | R1038      | NRSA63J-272X | MG R      | 2.7kΩ 1/16W | J     |                 | R1553      | QRL039J-180  | OM R      | 18Ω 3W      | J     |
|                 | R1041      | NRSA63J-272X | MG R      | 2.7kΩ 1/16W | J     |                 | R1601-03   | NRSA63J-750X | MG R      | 75Ω 1/16W   | J     |
|                 | R1042-43   | NRSA63J-102X | MG R      | 1kΩ 1/16W   | J     |                 | R1610-12   | NRSA63J-0R0X | MG R      | 0.0Ω 1/16W  | J     |
|                 | R1047      | NRSA63J-153X | MG R      | 15kΩ 1/16W  | J     |                 | R1621      | NRSA63J-222X | MG R      | 2.2kΩ 1/16W | J     |
|                 | R1048      | NRSA63J-154X | MG R      | 150kΩ 1/16W | J     |                 | R1622      | NRSA63J-221X | MG R      | 220Ω 1/16W  | J     |
|                 | R1101-02   | NRSA63J-101X | MG R      | 100Ω 1/16W  | J     |                 | R1623      | NRSA63J-222X | MG R      | 2.2kΩ 1/16W | J     |
|                 | R1111      | NRSA63J-105X | MG R      | 1MΩ 1/16W   | J     |                 | R1624      | NRSA63J-221X | MG R      | 220Ω 1/16W  | J     |
|                 | R1131      | NRSA63J-0R0X | MG R      | 0.0Ω 1/16W  | J     |                 | R1626-27   | NRSA63J-223X | MG R      | 22kΩ 1/16W  | J     |
|                 | R1134      | NRSA63J-562X | MG R      | 5.6kΩ 1/16W | J     |                 | R1631      | NRSA63J-333X | MG R      | 33kΩ 1/16W  | J     |
|                 | R1135-39   | NRSA63J-102X | MG R      | 1kΩ 1/16W   | J     |                 | R1632      | NRSA63J-223X | MG R      | 22kΩ 1/16W  | J     |
|                 | R1140      | NRSA63J-562X | MG R      | 5.6kΩ 1/16W | J     |                 | R1634      | NRSA63J-0R0X | MG R      | 0.0Ω 1/16W  | J     |
|                 | R1201      | NRSA63J-333X | MG R      | 33kΩ 1/16W  | J     |                 | R1700-02   | NRSA63J-102X | MG R      | 1kΩ 1/16W   | J     |
|                 | R1231      | NRSA63J-0R0X | MG R      | 0.0Ω 1/16W  | J     |                 | R1704-05   | NRSA63J-472X | MG R      | 4.7kΩ 1/16W | J     |
|                 | R1237      | NRSA63J-392X | MG R      | 3.9kΩ 1/16W | J     |                 | R1706-07   | NRSA63J-103X | MG R      | 10kΩ 1/16W  | J     |
|                 | R1238      | NRSA63J-473X | MG R      | 47kΩ 1/16W  | J     |                 | R1708-09   | NRSA63J-101X | MG R      | 100Ω 1/16W  | J     |
|                 | R1241      | NRSA63J-332X | MG R      | 3.3kΩ 1/16W | J     |                 | R1715      | NRSA63J-103X | MG R      | 10kΩ 1/16W  | J     |
|                 | R1243      | NRSA63J-152X | MG R      | 1.5kΩ 1/16W | J     |                 | R1721-22   | NRSA63J-102X | MG R      | 1kΩ 1/16W   | J     |
|                 | R1281      | NRSA63J-182X | MG R      | 1.8kΩ 1/16W | J     |                 | R1724      | NRSA63J-102X | MG R      | 1kΩ 1/16W   | J     |
|                 | R1282      | NRSA63J-392X | MG R      | 3.9kΩ 1/16W | J     |                 | R1726      | NRSA63J-102X | MG R      | 1kΩ 1/16W   | J     |
|                 | R1283      | NRSA63J-681X | MG R      | 680Ω 1/16W  | J     |                 | R1728      | NRSA63J-102X | MG R      | 1kΩ 1/16W   | J     |
|                 | R1286      | NRSA63J-472X | MG R      | 4.7kΩ 1/16W | J     |                 | R1729      | NRSA63J-223X | MG R      | 22kΩ 1/16W  | J     |
|                 | R1287      | NRSA63J-101X | MG R      | 100Ω 1/16W  | J     |                 | R1731-32   | NRSA63J-101X | MG R      | 100Ω 1/16W  | J     |
|                 | R1288      | NRSA02J-471X | MG R      | 470Ω 1/10W  | J     |                 | R1733-34   | NRSA63J-562X | MG R      | 5.6kΩ 1/16W | J     |
|                 | R1289      | NRSA63J-154X | MG R      | 150kΩ 1/16W | J     |                 | R1737      | NRSA63J-222X | MG R      | 2.2kΩ 1/16W | J     |
|                 | R1290      | NRSA02J-561X | MG R      | 560Ω 1/10W  | J     |                 | R1738      | NRSA63J-102X | MG R      | 1kΩ 1/16W   | J     |
|                 | R1292      | NRSA63J-124X | MG R      | 120kΩ 1/16W | J     |                 | R1739      | NRSA63J-272X | MG R      | 2.7kΩ 1/16W | J     |
|                 | R1293      | NRSA63J-224X | MG R      | 220kΩ 1/16W | J     |                 | R1740      | NRSA63J-103X | MG R      | 10kΩ 1/16W  | J     |
|                 | R1294      | NRSA63J-101X | MG R      | 100Ω 1/16W  | J     |                 | R1741      | NRSA63J-0R0X | MG R      | 0.0Ω 1/16W  | J     |
|                 | R1295      | NRSA63J-222X | MG R      | 2.2kΩ 1/16W | J     |                 | R1742-44   | NRSA63J-103X | MG R      | 10kΩ 1/16W  | J     |
|                 | R1301-03   | NRSA63J-222X | MG R      | 2.2kΩ 1/16W | J     |                 | R1749-51   | NRSA63J-222X | MG R      | 2.2kΩ 1/16W | J     |
|                 | R1304-06   | NRSA63J-101X | MG R      | 100Ω 1/16W  | J     |                 | R1752      | NRSA63J-102X | MG R      | 1kΩ 1/16W   | J     |
|                 | R1354-55   | NRSA63J-0R0X | MG R      | 0.0Ω 1/16W  | J     |                 | R1753      | NRSA63J-0R0X | MG R      | 0.0Ω 1/16W  | J     |
|                 | R1356      | NRSA63J-123X | MG R      | 12kΩ 1/16W  | J     |                 | R1754      | NRSA63J-102X | MG R      | 1kΩ 1/16W   | J     |
|                 | R1359      | NRSA63J-103X | MG R      | 10kΩ 1/16W  | J     |                 | R1755      | NRSA63J-153X | MG R      | 15kΩ 1/16W  | J     |
|                 | R1360      | NRSA63J-0R0X | MG R      | 0.0Ω 1/16W  | J     |                 | R1756      | NRSA63J-103X | MG R      | 10kΩ 1/16W  | J     |
|                 | R1421      | NRSA63J-822X | MG R      | 8.2kΩ 1/16W | J     |                 | R1763      | NRSA63J-103X | MG R      | 10kΩ 1/16W  | J     |
|                 | R1423-24   | NRSA63J-393X | MG R      | 39kΩ 1/16W  | J     |                 | R1764-68   | NRSA63J-221X | MG R      | 220Ω 1/16W  | J     |
|                 | R1426      | NRSA63J-183X | MG R      | 18kΩ 1/16W  | J     |                 | R1769      | NRSA63J-682X | MG R      | 6.8kΩ 1/16W | J     |
|                 | R1427      | QRT029J-1R5  | MF R      | 1.5Ω 2W     | J     |                 | R1772      | NRSA63J-103X | MG R      | 10kΩ 1/16W  | J     |
|                 | R1429      | NRSA63J-272X | MG R      | 2.7kΩ 1/16W | J     |                 | R1775      | NRSA63J-473X | MG R      | 47kΩ 1/16W  | J     |
|                 | R1430      | NRSA63J-0R0X | MG R      | 0.0Ω 1/16W  | J     |                 | R1776      | NRSA63J-103X | MG R      | 10kΩ 1/16W  | J     |
|                 | R1431      | NRSA63J-152X | MG R      | 1.5kΩ 1/16W | J     |                 | R1793-95   | NRSA63J-331X | MG R      | 330Ω 1/16W  | J     |
|                 | R1432      | NRSA63J-101X | MG R      | 100Ω 1/16W  | J     |                 | R1798-99   | NRSA63J-103X | MG R      | 10kΩ 1/16W  | J     |
|                 | R1433      | NRSA63J-681X | MG R      | 680Ω 1/16W  | J     |                 | R1800      | NRSA63J-102X | MG R      | 1kΩ 1/16W   | J     |
|                 | R1434      | QRL029J-181  | OM R      | 180Ω 2W     | J     |                 | R1801-04   | NRSA63J-0R0X | MG R      | 0.0Ω 1/16W  | J     |
|                 | R1435      | QRE121J-102Y | C R       | 1kΩ 1/2W    | J     |                 | R1806      | NRSA63J-0R0X | MG R      | 0.0Ω 1/16W  | J     |
|                 | R1441-42   | NRSA63J-0R0X | MG R      | 0.0Ω 1/16W  | J     |                 | R1807      | NRSA63J-222X | MG R      | 2.2kΩ 1/16W | J     |
|                 | R1444      | NRSA63J-183X | MG R      | 18kΩ 1/16W  | J     |                 | R1810      | NRSA63J-0R0X | MG R      | 0.0Ω 1/16W  | J     |
|                 | R1445      | NRSA63J-103X | MG R      | 10kΩ 1/16W  | J     |                 | R1811      | NRSA63J-473X | MG R      | 47kΩ 1/16W  | J     |
|                 | R1501      | NRSA63J-0R0X | MG R      | 0.0Ω 1/16W  | J     |                 | R1812      | NRSA63J-102X | MG R      | 1kΩ 1/16W   | J     |
|                 | R1502      | NRSA63J-271X | MG R      | 270Ω 1/16W  | J     |                 | R1814      | NRSA63J-104X | MG R      | 100kΩ 1/16W | J     |
|                 | R1503      | QRE121J-103Y | C R       | 10kΩ 1/2W   | J     |                 | R1815      | NRSA63J-154X | MG R      | 150kΩ 1/16W | J     |
|                 | R1504-05   | QRL039J-102  | OM R      | 1kΩ 3W      | J     |                 | R1816      | NRSA63J-0R0X | MG R      | 0.0Ω 1/16W  | J     |
|                 | R1511      | QRE121J-220Y | C R       | 22Ω 1/2W    | J     |                 | R1817      | NRSA63J-104X | MG R      | 100kΩ 1/16W | J     |

| △                | Symbol No. | Part No.     | Part Name | Description | Local | △                | Symbol No. | Part No.     | Part Name   | Description  | Local              |   |
|------------------|------------|--------------|-----------|-------------|-------|------------------|------------|--------------|-------------|--------------|--------------------|---|
| <b>RESISTOR</b>  |            |              |           |             |       | <b>CAPACITOR</b> |            |              |             |              |                    |   |
|                  | R1818      | NRSA63J-0R0X | MG R      | 0.0Ω 1/16W  | J     |                  | C1202      | QETN1HM-224Z | E CAP.      | 0.22μF 50V   | M                  |   |
|                  | R1821      | NRSA63J-104X | MG R      | 100kΩ 1/16W | J     |                  | C1203      | NCB31HK-222X | C CAP.      | 2200pF 50V   | K                  |   |
|                  | R1822      | NRSA63J-0R0X | MG R      | 0.0Ω 1/16W  | J     |                  | C1233      | NDC31HJ-560X | C CAP.      | 56pF 50V     | J                  |   |
|                  | R1824      | NRSA63J-103X | MG R      | 10kΩ 1/16W  | J     |                  | C1237      | NCB31HK-103X | C CAP.      | 0.01μF 50V   | K                  |   |
|                  | R1827      | NRSA63J-102X | MG R      | 1kΩ 1/16W   | J     |                  | C1281      | QFV71HJ-474Z | MF CAP.     | 0.47μF 50V   | J                  |   |
|                  | R1856      | QRX039J-6R8  | MF R      | 6.8Ω 3W     | J     |                  | C1282      | QETN1CM-227Z | E CAP.      | 220μF 16V    | M                  |   |
| △                | R1857      | QRL029J-270  | OM R      | 27Ω 2W      | J     |                  | C1283      | NCB31HK-103X | C CAP.      | 0.01μF 50V   | K                  |   |
| △                | R1858      | QRL029J-470  | OM R      | 47Ω 2W      | J     |                  | C1284      | QETN1HM-225Z | E CAP.      | 2.2μF 50V    | M                  |   |
| △                | R1901      | QRF074K-R47  | UNF R     | 0.47Ω 7W    | K     |                  | C1285      | NCB31HK-103X | C CAP.      | 0.01μF 50V   | K                  |   |
| △                | R1909      | QRG01GJ-470  | OM R      | 47Ω 1W      | J     |                  | C1286      | QETN1HM-106Z | E CAP.      | 10μF 50V     | M                  |   |
|                  | R1911      | QRE121J-223Y | C R       | 22kΩ 1/2W   | J     |                  | C1287      | QETN1CM-107Z | E CAP.      | 100μF 16V    | M                  |   |
|                  | R1912-13   | QRT029J-R22  | MF R      | 0.22Ω 2W    | J     |                  | C1288      | NCB31HK-103X | C CAP.      | 0.01μF 50V   | K                  |   |
|                  | R1914      | QRK126J-681X | C R       | 680Ω 1/2W   | J     |                  | C1352      | QETN1CM-336Z | E CAP.      | 33μF 16V     | M                  |   |
|                  | R1915      | QRE121J-6R8Y | C R       | 6.8Ω 1/2W   | J     |                  | C1354      | QFV71HJ-154Z | MF CAP.     | 0.15μF 50V   | J                  |   |
| △                | R1917      | QRK126J-332X | C R       | 3.3kΩ 1/2W  | J     |                  | C1391      | QETN1CM-107Z | E CAP.      | 100μF 16V    | M                  |   |
|                  | R1918      | QRE121J-222Y | C R       | 2.2kΩ 1/2W  | J     |                  | C1392      | NCB31HK-103X | C CAP.      | 0.01μF 50V   | K                  |   |
|                  | R1919      | QRE121J-684Y | C R       | 680kΩ 1/2W  | J     |                  | C1393-95   | NCB31EK-104X | C CAP.      | 0.1μF 25V    | K                  |   |
|                  | R1924      | QRE121J-222Y | C R       | 2.2kΩ 1/2W  | J     |                  | C1421      | NCB21HK-102X | C CAP.      | 1000pF 50V   | K                  |   |
|                  | R1930      | QRE121J-223Y | C R       | 22kΩ 1/2W   | J     |                  | C1422      | QFLC1HJ-103Z | M CAP.      | 0.01μF 50V   | J                  |   |
|                  | R1939      | QRT039J-2R2  | MF R      | 2.2Ω 3W     | J     |                  | C1424      | QETN1VM-107Z | E CAP.      | 100μF 35V    | M                  |   |
|                  | R1940      | QRE121J-181Y | C R       | 180Ω 1/2W   | J     |                  | C1425      | QETN1VM-477Z | E CAP.      | 470μF 35V    | M                  |   |
|                  | R1941      | QRL029J-183  | OM R      | 18kΩ 2W     | J     |                  | C1427      | QETN1HM-105Z | E CAP.      | 1μF 50V      | M                  |   |
|                  | R1951      | NRSA63J-473X | MG R      | 47kΩ 1/16W  | J     |                  | C1428      | QETM1EM-228  | E CAP.      | 2200μF 25V   | M                  |   |
|                  | R1952      | NRSA63J-102X | MG R      | 1kΩ 1/16W   | J     |                  | C1430      | NCB21CK-474X | C CAP.      | 0.47μF 16V   | K                  |   |
|                  | R1953      | QRE121J-820Y | C R       | 82Ω 1/2W    | J     |                  | C1431      | QFLC2AK-563Z | M CAP.      | 0.056μF 100V | K                  |   |
|                  | R1973      | QRE121J-272Y | C R       | 2.7kΩ 1/2W  | J     |                  | C1433      | QETN1EM-476Z | E CAP.      | 47μF 25V     | M                  |   |
|                  | R1975      | QRE121J-223Y | C R       | 22kΩ 1/2W   | J     |                  | C1434      | NDC21HJ-100X | C CAP.      | 10pF 50V     | J                  |   |
|                  | R1977      | QRE121J-473Y | C R       | 47kΩ 1/2W   | J     |                  | C1435      | NCB21HK-183X | C CAP.      | 0.018μF 50V  | K                  |   |
|                  | R1978      | NRSA63J-333X | MG R      | 33kΩ 1/16W  | J     |                  | C1501      | QCB32HK-151Z | C CAP.      | 150pF 500V   | K                  |   |
|                  | R1979      | QRT029J-1R2  | MF R      | 1.2Ω 2W     | J     |                  | C1502      | QCB32HK-331Z | C CAP.      | 330pF 500V   | K                  |   |
|                  | R1980      | QRT029J-1R2  | MF R      | 1.2Ω 2W     | J     |                  | C1503      | QEHR2CM-105Z | E CAP.      | 1μF 160V     | M                  |   |
| △                | R1998      | QRZ9041-275  | C R       | 2.7MΩ 1/2W  | K     |                  | C1504      | QEZO203-107  | E CAP.      | 100μF 160V   | M                  |   |
|                  | R1999      | QRE121J-121Y | C R       | 120Ω 1/2W   | J     |                  | C1507-08   | QEM61HK-475Z | E CAP.      | 4.7μF 50V    | K                  |   |
| <b>CAPACITOR</b> |            |              |           |             |       |                  | △          | C1510        | QFZ0196-532 | MPP CAP.     | 5300pF 1.5kVH ±3%  |   |
|                  | C1001      | QETN1HM-475Z | E CAP.    | 4.7μF 50V   | M     |                  | △          | C1513        | QFZ0198-133 | MPP CAP.     | 0.013μF 1.5kVH ±3% |   |
|                  | C1002      | QETN1HM-106Z | E CAP.    | 10μF 50V    | M     |                  | △          | C1514        | QFP32GJ-183 | PP CAP.      | 0.018μF 400V       | J |
|                  | C1003      | QETN1CM-108Z | E CAP.    | 1000μF 16V  | M     |                  | △          | C1515        | QFZ0197-624 | MPP CAP.     | 0.62μF 250V        | Z |
|                  | C1011-12   | NCB31HK-103X | C CAP.    | 0.01μF 50V  | K     |                  | C1516      | QCB32HK-561Z | C CAP.      | 560pF 500V   | K                  |   |
|                  | C1014      | QETN1CM-107Z | E CAP.    | 100μF 16V   | M     |                  | C1521      | QETN2EM-106Z | E CAP.      | 10μF 250V    | M                  |   |
|                  | C1015-16   | NCB31HK-103X | C CAP.    | 0.01μF 50V  | K     |                  | C1523      | QEHR1EM-108Z | E CAP.      | 1000μF 25V   | M                  |   |
|                  | C1021      | QFV71HJ-824Z | MF CAP.   | 0.82μF 50V  | J     |                  | C1525      | QETN1VM-107Z | E CAP.      | 100μF 35V    | M                  |   |
|                  | C1023      | QETN1CM-107Z | E CAP.    | 100μF 16V   | M     |                  | C1526      | QFV21HJ-824Z | MF CAP.     | 0.82μF 50V   | J                  |   |
|                  | C1024      | NCB31HK-103X | C CAP.    | 0.01μF 50V  | K     |                  | C1527      | QFLC2AJ-103Z | M CAP.      | 0.01μF 100V  | J                  |   |
|                  | C1025      | NCB31HK-102X | C CAP.    | 1000pF 50V  | K     |                  | C1531      | QCB32HK-102Z | C CAP.      | 1000pF 500V  | K                  |   |
|                  | C1026      | QETN1HM-474Z | E CAP.    | 0.47μF 50V  | M     |                  | C1533      | QETN1HM-106Z | E CAP.      | 10μF 50V     | M                  |   |
|                  | C1027      | NCB21HK-104X | C CAP.    | 0.1μF 50V   | K     |                  | C1601-03   | QETN1EM-476Z | E CAP.      | 47μF 25V     | M                  |   |
|                  | C1028      | QETN1HM-106Z | E CAP.    | 10μF 50V    | M     |                  | C1609-11   | QFV71HJ-104Z | MF CAP.     | 0.1μF 50V    | J                  |   |
|                  | C1030      | NCB31HK-103X | C CAP.    | 0.01μF 50V  | K     |                  | C1621      | NCB31HK-102X | C CAP.      | 1000pF 50V   | K                  |   |
|                  | C1034      | NCB31HK-103X | C CAP.    | 0.01μF 50V  | K     |                  | C1622      | NCF21CZ-105X | C CAP.      | 1μF 16V      | Z                  |   |
|                  | C1036      | QETN1AM-477Z | E CAP.    | 470μF 10V   | M     |                  | C1623      | NCB31HK-102X | C CAP.      | 1000pF 50V   | K                  |   |
|                  | C1037      | NCB31HK-103X | C CAP.    | 0.01μF 50V  | K     |                  | C1624      | NCF21CZ-105X | C CAP.      | 1μF 16V      | Z                  |   |
|                  | C1038      | QETN1CM-107Z | E CAP.    | 100μF 16V   | M     |                  | C1625      | QETN1CM-107Z | E CAP.      | 100μF 16V    | M                  |   |
|                  | C1041-42   | QETN1HM-106Z | E CAP.    | 10μF 50V    | M     |                  | C1626      | QETN1EM-108Z | E CAP.      | 1000μF 25V   | M                  |   |
|                  | C1043-44   | NDC31HJ-470X | C CAP.    | 47pF 50V    | J     |                  | C1627      | QETN1HM-474Z | E CAP.      | 0.47μF 50V   | M                  |   |
|                  | C1045      | QETN1HM-106Z | E CAP.    | 10μF 50V    | M     |                  | C1628-29   | QETN1EM-108Z | E CAP.      | 1000μF 25V   | M                  |   |
|                  | C1046      | NCB31HK-103X | C CAP.    | 0.01μF 50V  | K     |                  | C1634      | QETN1HM-106Z | E CAP.      | 10μF 50V     | M                  |   |
|                  | C1047      | NDC21HJ-330X | C CAP.    | 33pF 50V    | J     |                  | C1700      | NCB31HK-102X | C CAP.      | 1000pF 50V   | K                  |   |
|                  | C1048      | NCB31HK-103X | C CAP.    | 0.01μF 50V  | K     |                  | C1702      | NCB31EK-104X | C CAP.      | 0.1μF 25V    | K                  |   |
|                  | C1111      | QETN0JM-228Z | E CAP.    | 2200μF 6.3V | M     |                  | C1703      | NDC31HJ-181X | C CAP.      | 180pF 50V    | J                  |   |
|                  | C1112      | NCB31HK-103X | C CAP.    | 0.01μF 50V  | K     |                  | C1706      | QETN1HM-105Z | E CAP.      | 1μF 50V      | M                  |   |
|                  | C1113      | QETN1HM-474Z | E CAP.    | 0.47μF 50V  | M     |                  | C1707      | QETN1CM-107Z | E CAP.      | 100μF 16V    | M                  |   |
|                  | C1114      | QETN1HM-105Z | E CAP.    | 1μF 50V     | M     |                  | C1710      | NCB21EK-683X | C CAP.      | 0.068μF 25V  | K                  |   |
|                  | C1115      | QFV71HJ-104Z | MF CAP.   | 0.1μF 50V   | J     |                  | C1722-23   | NDC31HJ-390X | C CAP.      | 39pF 50V     | J                  |   |
|                  | C1116      | NCB31EK-104X | C CAP.    | 0.1μF 25V   | K     |                  | C1724      | NDC31HJ-471X | C CAP.      | 470pF 50V    | J                  |   |
|                  | C1134      | NDC31HJ-470X | C CAP.    | 47pF 50V    | J     |                  | C1726      | NDC21HJ-561X | C CAP.      | 560pF 50V    | J                  |   |
|                  | C1135      | NDC31HJ-330X | C CAP.    | 33pF 50V    | J     |                  | C1728      | NCB31HK-103X | C CAP.      | 0.01μF 50V   | K                  |   |
|                  | C1136      | QENC1CM-106Z | E CAP.    | 10μF 16V    | M     |                  | C1800      | QETN1EM-107Z | E CAP.      | 100μF 25V    | M                  |   |
|                  | C1151      | NCB31HK-103X | C CAP.    | 0.01μF 50V  | K     |                  | C1801      | NCB31EK-104X | C CAP.      | 0.1μF 25V    | K                  |   |
|                  | C1201      | NDC31HJ-100X | C CAP.    | 10pF 50V    | J     |                  | C1802      | QETN1CM-107Z | E CAP.      | 100μF 16V    | M                  |   |
|                  |            |              |           |             |       |                  | C1804      | NCB31HK-103X | C CAP.      | 0.01μF 50V   | K                  |   |
|                  |            |              |           |             |       |                  | C1807      | QETN1HM-106Z | E CAP.      | 10μF 50V     | M                  |   |
|                  |            |              |           |             |       |                  | C1810      | QENC1HM-474Z | BP E CAP.   | 0.47μF 50V   | M                  |   |

| △ Symbol No.       | Part No.     | Part Name       | Description   | Local  |
|--------------------|--------------|-----------------|---------------|--------|
| <b>CAPACITOR</b>   |              |                 |               |        |
| C1811              | QENC1HM-105Z | E CAP.          | 1μF 50V       | M      |
| C1812-13           | NCB31HK-102X | C CAP.          | 1000pF 50V    | K      |
| C1816              | NCB31HK-153X | C CAP.          | 0.015μF 50V   | K      |
| C1853-54           | QETN1CM-107Z | E CAP.          | 100μF 16V     | M      |
| C1856-57           | QETN1CM-107Z | E CAP.          | 100μF 16V     | M      |
| △ C1901            | QFZ9067-104  | MM CAP.         | 0.1μF         |        |
| △ C1902            | QFZ9067-473  | MM CAP.         | 0.047μF       |        |
| △ C1904-06         | QCZ9054-102  | C CAP.          | 1000pF AC250V | Z      |
| △ C1907            | QEZ0169-477  | E CAP.          | 470μF 200V    | M      |
| △ C1908            | QCZ9054-102  | C CAP.          | 1000pF AC250V | Z      |
| C1912              | QCZ0340-222  | C CAP.          | 2200pF        |        |
| C1913              | QFLC1HJ-471Z | M CAP.          | 470pF 50V     | J      |
| C1914              | QETN1HM-107Z | E CAP.          | 100μF 50V     | M      |
| C1916              | NDC31HJ-331X | C CAP.          | 330pF 50V     | J      |
| C1917              | NCB31HK-182X | C CAP.          | 1800pF 50V    | K      |
| C1918              | NCB21HK-104X | C CAP.          | 0.1μF 50V     | K      |
| C1919              | QFP32GJ-103  | PP CAP.         | 0.01μF 400V   | J      |
| C1931              | QEZ0203-107  | E CAP.          | 100μF 160V    | M      |
| C1933              | QETN1CM-108Z | E CAP.          | 1000μF 16V    | M      |
| C1934              | NDC31HJ-221X | C CAP.          | 220pF 50V     | J      |
| C1935              | QETN1EM-108Z | E CAP.          | 1000μF 25V    | M      |
| C1937              | QCZ0340-102  | C CAP.          | 1000pF        |        |
| C1938              | QETN1CM-477Z | E CAP.          | 470μF 16V     | M      |
| C1939              | QCB32HK-152Z | C CAP.          | 1500pF 500V   | K      |
| C1941              | QCB32HK-102Z | C CAP.          | 1000pF 500V   | K      |
| C1942              | QEHR1HM-105Z | E CAP.          | 1μF 50V       | M      |
| C1951              | QETN1EM-477Z | E CAP.          | 470μF 25V     | M      |
| C1952              | QETN1CM-227Z | E CAP.          | 220μF 16V     | M      |
| C1971              | QETN1CM-107Z | E CAP.          | 100μF 16V     | M      |
| C1972              | QETN1EM-476Z | E CAP.          | 47μF 25V      | M      |
| C1973              | QETN1HM-106Z | E CAP.          | 10μF 50V      | M      |
| △ C1997            | QCZ9052-102  | C CAP.          | 1000pF AC125V | K      |
| △ C1998-99         | QCZ9074-103  | C CAP.          | 0.01μF AC125V | M      |
| <b>TRANSFORMER</b> |              |                 |               |        |
| T1501              | CE42034-002  | H.DRIVE TRANSF. |               |        |
| △ T1502            | QQH0100-001  | FBT             |               |        |
| △ T1921            | QQS0118-001  | SW TRANSF       |               |        |
| △ T1951            | QQT0355-001  | POWER TRANSF    |               |        |
| <b>COIL</b>        |              |                 |               |        |
| △ L1001            | QQL244K-560Z | COIL            | 56μH          | K      |
| L1012              | QQLZ014-R39  | COIL            | 0.39μH        |        |
| L1021              | QRN143J-0R0X | C R             | 0.0Ω          | 1/4W J |
| L1022              | QQL244K-220Z | COIL            | 22μH          | K      |
| L1027              | QRN143J-0R0X | C R             | 0.0Ω          | 1/4W J |
| L1041              | QRN143J-0R0X | C R             | 0.0Ω          | 1/4W J |
| L1042              | QQL244K-220Z | COIL            | 22μH          | K      |
| L1101              | QQL244K-470Z | COIL            | 47μH          | K      |
| L1232              | QQL244K-560Z | COIL            | 56μH          | K      |
| △ L1511            | QQR1027-003  | LINE FILTER     |               |        |
| L1512              | QQLZ027-821  | CHOKE COIL      | 820μH         |        |
| △ L1521            | QQLZ018-560  | HEATER CHOKE    |               |        |
| L1700              | QQL244K-4R7Z | COIL            | 4.7μH         | K      |
| L1810              | QQL244J-100Z | COIL            | 10μH          | J      |
| L1931              | QQL26AK-470Z | COIL            | 47μH          | K      |
| L1933              | QQL26AK-470Z | COIL            | 47μH          | K      |
| L1940              | QQR0582-001Z | BEADS CORE      |               |        |
| <b>DIODE</b>       |              |                 |               |        |
| D1010              | MTZJ9.1C-T2  | ZENER DIODE     |               |        |
| D1101-02           | MTZJ5.6B-T2  | ZENER DIODE     |               |        |
| D1305-10           | 1SS133-T2    | SI.DIODE        |               |        |
| D1352              | MTZJ9.1C-T2  | ZENER DIODE     |               |        |
| D1353              | 1SS133-T2    | SI.DIODE        |               |        |
| D1421              | 1N4003-T2    | SI.DIODE        |               |        |
| D1422              | MTZJ75-T2    | ZENER DIODE     |               |        |
| D1424              | 1SS133-T2    | SI.DIODE        |               |        |
| D1501              | RH3G-F1      | SI.DIODE        |               |        |
| △ D1502            | RU3AM-LFC4   | SI.DIODE        |               |        |

| △ Symbol No.      | Part No.        | Part Name       | Description | Local |
|-------------------|-----------------|-----------------|-------------|-------|
| <b>DIODE</b>      |                 |                 |             |       |
| D1521             | RH1S-T3         | SI.DIODE        |             |       |
| △ D1523           | RGP10J-5025-T3  | SI.DIODE        |             |       |
| D1525-26          | 1SS81-T5        | SI.DIODE        |             |       |
| D1527             | 1SR124-400A-T2  | SI.DIODE        |             |       |
| D1529             | MTZJ5.1C-T2     | ZENER DIODE     |             |       |
| △ D1531           | MA4068N/Z1/-T2  | ZENER DIODE     |             |       |
| D1535             | 1SS133-T2       | SI.DIODE        |             |       |
| D1537             | 1SR35-400A-T2   | SI.DIODE        |             |       |
| D1601             | MTZJ9.1C-T2     | ZENER DIODE     |             |       |
| D1603             | MTZJ9.1C-T2     | ZENER DIODE     |             |       |
| D1606             | MTZJ9.1C-T2     | ZENER DIODE     |             |       |
| D1700             | MTZJ5.6B-T2     | ZENER DIODE     |             |       |
| D1701             | 1SS133-T2       | SI.DIODE        |             |       |
| D1703-04          | MTZJ5.6B-T2     | ZENER DIODE     |             |       |
| D1716             | 1SS133-T2       | SI.DIODE        |             |       |
| D1721-22          | 1SS133-T2       | SI.DIODE        |             |       |
| D1723-24          | MTZJ5.6B-T2     | ZENER DIODE     |             |       |
| D1801             | 1SS133-T2       | SI.DIODE        |             |       |
| D1810             | MTZJ5.6B-T2     | ZENER DIODE     |             |       |
| D1811             | 1SS133-T2       | SI.DIODE        |             |       |
| △ D1901           | GSIB460-S1      | BRIDGE DIODE    |             |       |
| D1910             | MA700A-T2       | SI.DIODE        |             |       |
| △ D1911-13        | RGP10J-5025-T3  | SI.DIODE        |             |       |
| D1914             | 1SS133-T2       | SI.DIODE        |             |       |
| D1915             | SARS01-T2       | SI.DIODE        |             |       |
| D1917             | MTZJ30A-T2      | ZENER DIODE     |             |       |
| D1918             | MTZJ5.1C-T2     | ZENER DIODE     |             |       |
| D1920             | 1SS133-T2       | SI.DIODE        |             |       |
| D1931             | RU30A-F1        | SI.DIODE        |             |       |
| D1933             | RU3YX-LFC4      | SI.DIODE        |             |       |
| D1935             | RU3YX-LFC4      | SI.DIODE        |             |       |
| D1941             | MTZJ33A-T2      | ZENER DIODE     |             |       |
| D1945             | MTZJ9.1B-T2     | ZENER DIODE     |             |       |
| D1952-53          | 1SS133-T2       | SI.DIODE        |             |       |
| D1954-57          | 1SR35-400A-T2   | SI.DIODE        |             |       |
| D1972             | MTZJ15C-T2      | ZENER DIODE     |             |       |
| D1973             | 1SS133-T2       | SI.DIODE        |             |       |
| <b>TRANSISTOR</b> |                 |                 |             |       |
| Q1011             | 2SC5083/L-P/-T  | SI.TRANSISTOR   |             |       |
| Q1021             | 2SC2412K/QR/-X  | SI.TRANSISTOR   |             |       |
| Q1024             | 2SC2412K/QR/-X  | SI.TRANSISTOR   |             |       |
| Q1025             | 2SA1037AK/QR/-X | SI.TRANSISTOR   |             |       |
| Q1041             | 2SA1037AK/QR/-X | SI.TRANSISTOR   |             |       |
| Q1131-33          | 2SC2412K/QR/-X  | SI.TRANSISTOR   |             |       |
| Q1150             | 2SA1037AK/QR/-X | SI.TRANSISTOR   |             |       |
| Q1232-33          | 2SC2412K/QR/-X  | SI.TRANSISTOR   |             |       |
| Q1352             | 2SC2412K/QR/-X  | SI.TRANSISTOR   |             |       |
| Q1431             | UN2212-X        | DEGI.TRANSISTOR |             |       |
| Q1501             | 2SC4212/Z1/     | SI.TRANSISTOR   |             |       |
| △ Q1511           | 2SD2645-YD      | TRANSISTOR      |             |       |
| Q1531             | 2SC2785/JH/-T   | SI.TRANSISTOR   |             |       |
| Q1532             | 2SA1037AK/QR/-X | SI.TRANSISTOR   |             |       |
| Q1541-42          | 2SA1037AK/QR/-X | SI.TRANSISTOR   |             |       |
| △ Q1543           | 2SD1408/OY/-LB  | SI.TRANSISTOR   |             |       |
| Q1621             | UN2212-X        | DEGI.TRANSISTOR |             |       |
| Q1622             | 2SC2412K/QR/-X  | SI.TRANSISTOR   |             |       |
| Q1623             | UN2212-X        | DEGI.TRANSISTOR |             |       |
| Q1700             | 2SC2412K/QR/-X  | SI.TRANSISTOR   |             |       |
| Q1701             | 2SA1037AK/QR/-X | SI.TRANSISTOR   |             |       |
| Q1706             | 2SC2412K/QR/-X  | SI.TRANSISTOR   |             |       |
| Q1711             | UN2212-X        | DEGI.TRANSISTOR |             |       |
| Q1810             | UN2213-X        | DIGI TRANSISTOR |             |       |
| Q1951             | 2SD1383K/AB/-X  | SI.TRANSISTOR   |             |       |
| Q1971             | 2SA1208/ST/Z1-T | SI.TRANSISTOR   |             |       |
| <b>IC</b>         |                 |                 |             |       |
| IC1101            | TB1253AN        | I.C(M)          |             |       |
| △ IC1421          | LA7841          | I.C(MONO-ANA)   |             |       |
| △ IC1621          | LA4485          | I.C(MONO-ANA)   |             |       |
| IC1701            | MN1876478JW     | I.C(MICRO-COMP) |             |       |
| IC1702            | AT24C04-GC1     | I.C(MEMORY-OTH) |             |       |

(SERVICE)



## CRT SOCKET PW BOARD ASS'Y(SGC-3007A-M2)

| △             | Symbol No. | Part No.        | Part Name       | Description | Local   |
|---------------|------------|-----------------|-----------------|-------------|---------|
| <b>IC</b>     |            |                 |                 |             |         |
|               | IC1703     | L78LR05E-MA     | I.C(MONO-ANA)   |             |         |
|               | IC1852     | AN7809F         | I.C(MONO-ANA)   |             |         |
|               | IC1853     | AN7805F         | I.C(MONO-ANA)   |             |         |
| △             | IC1911     | STR-G6624/F8    | I.C(HYBRID)     |             |         |
| △             | IC1921     | SE135N          | I.C(HYBRID)     |             |         |
| <b>OTHERS</b> |            |                 |                 |             |         |
|               | CF1001     | QAX0349-001     | CERAMIC FILTER  |             |         |
|               | CF1021     | QAX0639-001Z    | CERAMIC FILTER  |             |         |
|               | CF1041     | QAX0642-001Z    | CERAMIC FILTER  |             |         |
| △             | CN10PW     | QMPD200-200-JC  | POWER CORD      |             |         |
| △             | CP1932     | ICP-N70-T       | I.C.PROTECT     |             |         |
| △             | CP1936     | ICP-N70-T       | I.C.PROTECT     |             |         |
| △             | F1901      | QMF51U1-5R0-J8  | FUSE            |             |         |
| △             | F1905      | QMFZ034-5R0Z-J1 | FUSE            |             |         |
| △             | FC1901     | CEMG002-001Z    | FUSE CLIP       |             |         |
| △             | FR1521     | QRK129J-150     | C R             | 15Ω         | 1/2W J  |
| △             | FR1523     | QRX029J-3R3     | MF R            | 3.3Ω        | 2W J    |
| △             | FR1525     | QRZ9017-4R7     | F R             | 4.7Ω        | 1/4W J  |
|               | J1601      | QNN0349-002     | PIN JACK        |             |         |
|               | J1810      | QNS0001-001     | JACK            |             |         |
|               | K1401      | QQR0621-002Z    | BEADS CORE      |             |         |
|               | K1912      | QQR0582-001Z    | BEADS CORE      |             |         |
|               | K1916-18   | QQR0582-001Z    | BEADS CORE      |             |         |
|               | K1931-33   | QQR0582-001Z    | BEADS CORE      |             |         |
|               | K1935      | QQR0582-001Z    | BEADS CORE      |             |         |
|               | K1941      | QQR0621-002Z    | BEADS CORE      |             |         |
|               | LC1601-03  | QQR1199-001     | FILTER          |             |         |
| △             | LF1901     | QQR0527-003     | LINE FILTER     |             |         |
| △             | PC1921     | TLF421F/D4-G/R  | I.C(PH.COUPLER) |             |         |
| △             | RY1951     | QSK0085-001     | RELAY           |             |         |
|               | S1421      | QSL4A13-C02     | LEVER SWITCH    |             |         |
|               | SF1011     | QAX0324-002     | SAW FILTER      |             |         |
| △             | TH1901     | QAD0132-3R0     | W-PTC           |             |         |
| △             | TU1001     | QAU0176-001     | TUNER           |             |         |
| △             | VA1901     | ERZV10V621CS    | VARISTOR        |             |         |
|               | W1106      | NRSA63J-0R0X    | MG R            | 0.0Ω        | 1/16W J |
|               | W1213      | NRSA63J-0R0X    | MG R            | 0.0Ω        | 1/16W J |
|               | W1265      | NRSA63J-0R0X    | MG R            | 0.0Ω        | 1/16W J |
|               | W1311      | NRSA63J-0R0X    | MG R            | 0.0Ω        | 1/16W J |
|               | W1331      | NRSA63J-0R0X    | MG R            | 0.0Ω        | 1/16W J |
|               | W1442-43   | NRSA63J-0R0X    | MG R            | 0.0Ω        | 1/16W J |
|               | W1478      | NRSA63J-0R0X    | MG R            | 0.0Ω        | 1/16W J |
|               | W1548-49   | NRSA63J-0R0X    | MG R            | 0.0Ω        | 1/16W J |
|               | W1567      | NRSA63J-0R0X    | MG R            | 0.0Ω        | 1/16W J |
|               | W1572      | NRSA63J-0R0X    | MG R            | 0.0Ω        | 1/16W J |
|               | W1579      | NRSA63J-0R0X    | MG R            | 0.0Ω        | 1/16W J |
|               | W1581      | NRSA63J-0R0X    | MG R            | 0.0Ω        | 1/16W J |
|               | W1609      | NRSA63J-0R0X    | MG R            | 0.0Ω        | 1/16W J |
|               | W1628      | NRSA63J-0R0X    | MG R            | 0.0Ω        | 1/16W J |
|               | W1636      | NRSA63J-0R0X    | MG R            | 0.0Ω        | 1/16W J |
|               | W1653      | NRSA63J-0R0X    | MG R            | 0.0Ω        | 1/16W J |
|               | W1666      | NRSA63J-0R0X    | MG R            | 0.0Ω        | 1/16W J |
|               | W1710      | NRSA63J-0R0X    | MG R            | 0.0Ω        | 1/16W J |
|               | W1716      | NRSA63J-0R0X    | MG R            | 0.0Ω        | 1/16W J |
|               | W1729      | NRSA63J-0R0X    | MG R            | 0.0Ω        | 1/16W J |
|               | W1746      | NRSA63J-0R0X    | MG R            | 0.0Ω        | 1/16W J |
|               | W1762      | NRSA63J-0R0X    | MG R            | 0.0Ω        | 1/16W J |
|               | W1764      | NRSA63J-0R0X    | MG R            | 0.0Ω        | 1/16W J |
|               | W1766      | NRSA63J-0R0X    | MG R            | 0.0Ω        | 1/16W J |
|               | W1773      | NRSA63J-0R0X    | MG R            | 0.0Ω        | 1/16W J |
|               | W1784      | NRSA63J-0R0X    | MG R            | 0.0Ω        | 1/16W J |
|               | W1797-98   | NRSA63J-0R0X    | MG R            | 0.0Ω        | 1/16W J |
|               | W1804      | NRSA63J-0R0X    | MG R            | 0.0Ω        | 1/16W J |
|               | W1821      | NRSA63J-0R0X    | MG R            | 0.0Ω        | 1/16W J |
|               | X1201      | CE40668-001Z    | CRYSTAL         |             |         |
|               | X1700      | QAX0307-001     | CER.RESONATOR   |             |         |
|               | Y1002-03   | NRSA63J-0R0X    | MG R            | 0.0Ω        | 1/16W J |
|               | Y1800      | NRSA63J-0R0X    | MG R            | 0.0Ω        | 1/16W J |
|               | Y1903      | NRSA63J-0R0X    | MG R            | 0.0Ω        | 1/16W J |

| △               | Symbol No. | Part No.     | Part Name | Description | Local   |
|-----------------|------------|--------------|-----------|-------------|---------|
| <b>RESISTOR</b> |            |              |           |             |         |
|                 | R3354-56   | NRSA63J-221X | MG R      | 220Ω        | 1/16W J |
|                 | R3357-59   | NRSA63J-101X | MG R      | 100Ω        | 1/16W J |
|                 | R3360-62   | QRZ0111-152  | C R       | 1.5kΩ       | 1/2W K  |
|                 | R3363-65   | QRG029J-103  | OM R      | 10kΩ        | 2W J    |
|                 | R3366-68   | NRSA63J-182X | MG R      | 1.8kΩ       | 1/16W J |
|                 | R3372-74   | NRSA63J-221X | MG R      | 220Ω        | 1/16W J |
|                 | R3375-77   | NRSA63J-0R0X | MG R      | 0.0Ω        | 1/16W J |
|                 | R3381      | QRE121J-394Y | C R       | 390kΩ       | 1/2W J  |
|                 | R3391      | NRSA63J-152X | MG R      | 1.5kΩ       | 1/16W J |
|                 | R3392      | NRSA63J-392X | MG R      | 3.9kΩ       | 1/16W J |
|                 | R3393-95   | NRSA63J-102X | MG R      | 1kΩ         | 1/16W J |

| △                | Symbol No. | Part No.     | Part Name | Description | Local |
|------------------|------------|--------------|-----------|-------------|-------|
| <b>CAPACITOR</b> |            |              |           |             |       |
|                  | C3354-55   | NDC31HJ-391X | C CAP.    | 390pF       | 50V J |
|                  | C3356      | NDC31HJ-471X | C CAP.    | 470pF       | 50V J |
|                  | C3357      | QETN1CM-107Z | E CAP.    | 100pF       | 16V M |
| △                | C3382      | QCZ0121-102  | C CAP.    | 1000pF      | 3kV Z |
|                  | C3391      | QETN1AM-227Z | E CAP.    | 220μF       | 10V M |
|                  | C3392      | NDC31HJ-101X | C CAP.    | 100pF       | 50V J |

| △           | Symbol No. | Part No.     | Part Name | Description | Local |
|-------------|------------|--------------|-----------|-------------|-------|
| <b>COIL</b> |            |              |           |             |       |
|             | L3381      | QQL244K-101Z | COIL      | 100μH       | K     |

| △            | Symbol No. | Part No.  | Part Name | Description | Local |
|--------------|------------|-----------|-----------|-------------|-------|
| <b>DIODE</b> |            |           |           |             |       |
|              | D3391      | 1SS133-T2 | SI.DIODE  |             |       |

| △                 | Symbol No. | Part No.      | Part Name     | Description | Local |
|-------------------|------------|---------------|---------------|-------------|-------|
| <b>TRANSISTOR</b> |            |               |               |             |       |
|                   | Q3351-53   | 2SC4544-LB    | SI.TRANSISTOR |             |       |
|                   | Q3391      | 2SA933AS/QR-T | SI.TRANSISTOR |             |       |

| △             | Symbol No. | Part No.     | Part Name  | Description | Local   |
|---------------|------------|--------------|------------|-------------|---------|
| <b>OTHERS</b> |            |              |            |             |         |
| △             | SK3351     | QNZ0537-001  | CRT SOCKET |             |         |
|               | W3002      | NRSA02J-0R0X | MG R       | 0.0Ω        | 1/10W J |

## FRONT CONTROL PW BOARD ASS'Y(SGC-8501A-M2)

| △               | Symbol No. | Part No.     | Part Name | Description | Local   |
|-----------------|------------|--------------|-----------|-------------|---------|
| <b>RESISTOR</b> |            |              |           |             |         |
|                 | R8702      | NRSA63J-472X | MG R      | 4.7kΩ       | 1/16W J |
|                 | R8703      | NRSA63J-153X | MG R      | 15kΩ        | 1/16W J |
|                 | R8705      | NRSA63J-472X | MG R      | 4.7kΩ       | 1/16W J |
|                 | R8706      | NRSA63J-153X | MG R      | 15kΩ        | 1/16W J |
|                 | R8707      | NRSA63J-332X | MG R      | 3.3kΩ       | 1/16W J |
|                 | R8708      | NRSA63J-152X | MG R      | 1.5kΩ       | 1/16W J |
|                 | R8709      | NRSA63J-561X | MG R      | 560Ω        | 1/16W J |

| △                | Symbol No. | Part No.     | Part Name | Description | Local |
|------------------|------------|--------------|-----------|-------------|-------|
| <b>CAPACITOR</b> |            |              |           |             |       |
|                  | C8701      | QETN1EM-476Z | E CAP.    | 47μF        | 25V M |

| △            | Symbol No. | Part No.    | Part Name | Description | Local |
|--------------|------------|-------------|-----------|-------------|-------|
| <b>DIODE</b> |            |             |           |             |       |
|              | D8701      | SLR-342VR3F | L.E.D.    |             |       |

| △                 | Symbol No. | Part No. | Part Name       | Description | Local |
|-------------------|------------|----------|-----------------|-------------|-------|
| <b>TRANSISTOR</b> |            |          |                 |             |       |
|                   | Q8701-02   | UN2112-X | DIGI TRANSISTOR |             |       |

| △         | Symbol No. | Part No. | Part Name       | Description | Local |
|-----------|------------|----------|-----------------|-------------|-------|
| <b>IC</b> |            |          |                 |             |       |
|           | IC8701     | GP1U281Q | IFR DETECT UNIT |             |       |

| △ Symbol No.  | Part No.       | Part Name    | Description | Local |
|---------------|----------------|--------------|-------------|-------|
| <b>OTHERS</b> |                |              |             |       |
|               | LC30190-001B-A | L.E.D.HOLDER |             |       |
| S8701         | QSW0619-003Z   | PUSH SWITCH  | POWER       |       |
| S8702         | QSW0619-003Z   | PUSH SWITCH  | NENU        |       |
| S8703         | QSW0619-003Z   | PUSH SWITCH  | CH-         |       |
| S8704         | QSW0619-003Z   | PUSH SWITCH  | CH+         |       |
| S8705         | QSW0619-003Z   | PUSH SWITCH  | VOL-        |       |
| S8706         | QSW0619-003Z   | PUSH SWITCH  | VOL+        |       |
| W8002         | NRSA63J-0R0X   | MG R         | 0.0Ω 1/16W  | J     |

**FRONT AV INPUT PW BOARD ASS'Y(SGC-8601A-M2)**

| △ Symbol No.    | Part No.     | Part Name | Description | Local |
|-----------------|--------------|-----------|-------------|-------|
| <b>RESISTOR</b> |              |           |             |       |
| R8401           | NRSA63J-750X | MG R      | 75Ω 1/16W   | J     |
| R8402-03        | NRSA63J-224X | MG R      | 220kΩ 1/16W | J     |

**CAPACITOR**

|          |              |        |         |   |
|----------|--------------|--------|---------|---|
| C8402-03 | QETN1HM-105Z | E CAP. | 1μF 50V | M |
|----------|--------------|--------|---------|---|

**OTHERS**

|        |              |          |            |   |
|--------|--------------|----------|------------|---|
| J8401  | QNN0281-003  | PIN JACK |            |   |
| J8402  | QNN0281-002  | PIN JACK |            |   |
| J8403  | QNN0282-001  | PIN JACK |            |   |
| LC8401 | QQR1199-001  | FILTER   |            |   |
| W8001  | NRSA63J-0R0X | MG R     | 0.0Ω 1/16W | J |

**AV SELECTOR PW BOARD ASS'Y(SGC0S002A-M2)**

| △ Symbol No.    | Part No.     | Part Name | Description | Local |
|-----------------|--------------|-----------|-------------|-------|
| <b>RESISTOR</b> |              |           |             |       |
| R0081           | NRSA63J-102X | MG R      | 1kΩ 1/16W   | J     |
| R0082           | NRSA63J-682X | MG R      | 6.8kΩ 1/16W | J     |
| R0083           | NRSA63J-153X | MG R      | 15kΩ 1/16W  | J     |
| R0084           | NRSA63J-683X | MG R      | 68kΩ 1/16W  | J     |
| R0085           | NRSA63J-332X | MG R      | 3.3kΩ 1/16W | J     |
| R0086           | NRSA63J-333X | MG R      | 33kΩ 1/16W  | J     |
| R0087           | NRSA63J-153X | MG R      | 15kΩ 1/16W  | J     |
| R0088           | NRSA63J-152X | MG R      | 1.5kΩ 1/16W | J     |
| R0089           | NRSA63J-562X | MG R      | 5.6kΩ 1/16W | J     |
| R0090           | NRSA63J-563X | MG R      | 56kΩ 1/16W  | J     |
| R0151-54        | NRSA63J-223X | MG R      | 22kΩ 1/16W  | J     |
| R0155           | NRSA63J-0R0X | MG R      | 0.0Ω 1/16W  | J     |
| R0157           | NRSA63J-0R0X | MG R      | 0.0Ω 1/16W  | J     |
| R0159           | NRSA63J-103X | MG R      | 10kΩ 1/16W  | J     |
| R0210           | NRSA63J-0R0X | MG R      | 0.0Ω 1/16W  | J     |
| R0211           | NRSA63J-153X | MG R      | 15kΩ 1/16W  | J     |
| R0212           | NRSA63J-333X | MG R      | 33kΩ 1/16W  | J     |
| R0213           | NRSA63J-102X | MG R      | 1kΩ 1/16W   | J     |
| R0214           | NRSA63J-181X | MG R      | 180Ω 1/16W  | J     |
| R0215           | NRSA63J-152X | MG R      | 1.5kΩ 1/16W | J     |
| R0216           | NRSA63J-182X | MG R      | 1.8kΩ 1/16W | J     |
| R0217           | NRSA63J-102X | MG R      | 1kΩ 1/16W   | J     |
| R0218           | NRSA63J-222X | MG R      | 2.2kΩ 1/16W | J     |
| R0223           | NRSA63J-0R0X | MG R      | 0.0Ω 1/16W  | J     |
| R0229           | NRSA63J-473X | MG R      | 47kΩ 1/16W  | J     |
| R0230           | NRSA63J-223X | MG R      | 22kΩ 1/16W  | J     |
| R0231           | NRSA63J-101X | MG R      | 100Ω 1/16W  | J     |
| R0232           | NRSA63J-102X | MG R      | 1kΩ 1/16W   | J     |

| △ Symbol No.    | Part No.     | Part Name | Description | Local |
|-----------------|--------------|-----------|-------------|-------|
| <b>RESISTOR</b> |              |           |             |       |
| R0233           | NRSA63J-272X | MG R      | 2.7kΩ 1/16W | J     |
| R0234           | NRSA63J-102X | MG R      | 1kΩ 1/16W   | J     |
| R0235-36        | NRSA63J-101X | MG R      | 100Ω 1/16W  | J     |
| R0238           | NRSA63J-822X | MG R      | 8.2kΩ 1/16W | J     |
| R0239           | NRSA63J-123X | MG R      | 12kΩ 1/16W  | J     |
| R0241           | NRSA63J-821X | MG R      | 820Ω 1/16W  | J     |
| R0242           | NRSA63J-474X | MG R      | 470kΩ 1/16W | J     |
| R0243-44        | NRSA63J-103X | MG R      | 10kΩ 1/16W  | J     |

|          |              |      |             |   |
|----------|--------------|------|-------------|---|
| R0251    | NRSA63J-471X | MG R | 470Ω 1/16W  | J |
| R0253    | NRSA63J-681X | MG R | 680Ω 1/16W  | J |
| R0254-55 | NRSA63J-0R0X | MG R | 0.0Ω 1/16W  | J |
| R0258    | NRSA63J-101X | MG R | 100Ω 1/16W  | J |
| R0259    | NRSA63J-222X | MG R | 2.2kΩ 1/16W | J |
| R0261    | NRSA63J-101X | MG R | 100Ω 1/16W  | J |
| R0262    | NRSA63J-222X | MG R | 2.2kΩ 1/16W | J |
| R0263    | NRSA63J-471X | MG R | 470Ω 1/16W  | J |

|          |              |      |             |   |
|----------|--------------|------|-------------|---|
| R0265    | NRSA63J-102X | MG R | 1kΩ 1/16W   | J |
| R0269-70 | NRSA63J-0R0X | MG R | 0.0Ω 1/16W  | J |
| R0331-34 | NRSA63J-101X | MG R | 100Ω 1/16W  | J |
| R0371-74 | NRSA63J-103X | MG R | 10kΩ 1/16W  | J |
| R0375-76 | NRSA63J-333X | MG R | 33kΩ 1/16W  | J |
| R0377-78 | NRSA63J-472X | MG R | 4.7kΩ 1/16W | J |
| R0381    | NRSA63J-562X | MG R | 5.6kΩ 1/16W | J |
| R0382    | NRSA63J-223X | MG R | 22kΩ 1/16W  | J |

|          |              |      |            |   |
|----------|--------------|------|------------|---|
| R0384-87 | NRSA63J-223X | MG R | 22kΩ 1/16W | J |
| R0391-92 | NRSA63J-221X | MG R | 220Ω 1/16W | J |
| R0393-94 | NRSA63J-823X | MG R | 82kΩ 1/16W | J |
| R0395-96 | NRSA63J-221X | MG R | 220Ω 1/16W | J |
| R0501    | NRSA63J-102X | MG R | 1kΩ 1/16W  | J |
| R0502-03 | NRSA63J-820X | MG R | 82Ω 1/16W  | J |
| R0504    | NRSA63J-750X | MG R | 75Ω 1/16W  | J |
| R0505    | NRSA63J-823X | MG R | 82kΩ 1/16W | J |

|       |              |      |            |   |
|-------|--------------|------|------------|---|
| R0506 | NRSA63J-102X | MG R | 1kΩ 1/16W  | J |
| R0507 | NRSA63J-823X | MG R | 82kΩ 1/16W | J |
| R0508 | NRSA63J-102X | MG R | 1kΩ 1/16W  | J |
| R0512 | NRSA63J-823X | MG R | 82kΩ 1/16W | J |
| R0513 | NRSA63J-102X | MG R | 1kΩ 1/16W  | J |
| R0514 | NRSA63J-823X | MG R | 82kΩ 1/16W | J |
| R0515 | NRSA63J-102X | MG R | 1kΩ 1/16W  | J |
| R0518 | NRSA63J-153X | MG R | 15kΩ 1/16W | J |

|          |              |      |             |   |
|----------|--------------|------|-------------|---|
| R0519    | NRSA63J-103X | MG R | 10kΩ 1/16W  | J |
| R0520    | NRSA63J-153X | MG R | 15kΩ 1/16W  | J |
| R0523    | NRSA63J-103X | MG R | 10kΩ 1/16W  | J |
| R0542    | NRSA63J-821X | MG R | 820Ω 1/16W  | J |
| R0543-44 | NRSA63J-182X | MG R | 1.8kΩ 1/16W | J |
| R0546    | NRSA63J-273X | MG R | 27kΩ 1/16W  | J |
| R0547    | NRSA63J-223X | MG R | 22kΩ 1/16W  | J |
| R0548    | NRSA63J-222X | MG R | 2.2kΩ 1/16W | J |

|       |              |      |             |   |
|-------|--------------|------|-------------|---|
| R0552 | NRSA63J-183X | MG R | 18kΩ 1/16W  | J |
| R0553 | NRSA63J-223X | MG R | 22kΩ 1/16W  | J |
| R0560 | NRSA63J-221X | MG R | 220Ω 1/16W  | J |
| R0561 | NRSA63J-222X | MG R | 2.2kΩ 1/16W | J |
| R0562 | NRSA63J-471X | MG R | 470Ω 1/16W  | J |
| R0565 | NRSA63J-223X | MG R | 22kΩ 1/16W  | J |
| R0566 | NRSA63J-0R0X | MG R | 0.0Ω 1/16W  | J |
| R0567 | NRSA63J-152X | MG R | 1.5kΩ 1/16W | J |

|       |              |      |             |   |
|-------|--------------|------|-------------|---|
| R0568 | NRSA63J-183X | MG R | 18kΩ 1/16W  | J |
| R0569 | NRSA63J-103X | MG R | 10kΩ 1/16W  | J |
| R0570 | NRSA63J-152X | MG R | 1.5kΩ 1/16W | J |
| R0571 | NRSA63J-0R0X | MG R | 0.0Ω 1/16W  | J |
| R0572 | NRSA63J-562X | MG R | 5.6kΩ 1/16W | J |
| R0574 | NRSA63J-471X | MG R | 470Ω 1/16W  | J |

**CAPACITOR**

|          |              |           |             |   |
|----------|--------------|-----------|-------------|---|
| C0081    | NCB21HK-104X | C CAP.    | 0.1μF 50V   | K |
| C0082    | QENC1HM-475Z | BP E CAP. | 4.7μF 50V   | M |
| C0083    | QENC1HM-105Z | E CAP.    | 1μF 50V     | M |
| C0084    | QETN1HM-225Z | E CAP.    | 2.2μF 50V   | M |
| C0085    | NCB21HK-473X | C CAP.    | 0.047μF 50V | K |
| C0086    | QETN1HM-474Z | E CAP.    | 0.47μF 50V  | M |
| C0087-88 | NCB21HK-104X | C CAP.    | 0.1μF 50V   | K |
| C0089    | QETN1HM-335Z | E CAP.    | 3.3μF 50V   | M |

| △ Symbol No.     | Part No.     | Part Name   | Description   | Local |
|------------------|--------------|-------------|---------------|-------|
| <b>CAPACITOR</b> |              |             |               |       |
| C0090            | QETN1HM-105Z | E CAP.      | 1μF 50V M     |       |
| C0091            | QETN1HM-106Z | E CAP.      | 10μF 50V M    |       |
| C0092-93         | QETN1HM-105Z | E CAP.      | 1μF 50V M     |       |
| C0094            | QETN1HM-475Z | E CAP.      | 4.7μF 50V M   |       |
| C0095            | QETN1HM-105Z | E CAP.      | 1μF 50V M     |       |
| C0151-52         | QENC1HM-105Z | E CAP.      | 1μF 50V M     |       |
| C0153-54         | NCB31HK-332X | C CAP.      | 3300pF 50V K  |       |
| C0155-56         | NCB21HK-333X | C CAP.      | 0.033μF 50V K |       |
| C0157-58         | QETN1HM-106Z | E CAP.      | 10μF 50V M    |       |
| C0159            | QETN1EM-476Z | E CAP.      | 47μF 25V M    |       |
| C0160            | NCB21HK-104X | C CAP.      | 0.1μF 50V K   |       |
| C0205            | QETN1HM-476Z | E CAP.      | 47μF 50V M    |       |
| C0206            | NCB31HK-103X | C CAP.      | 0.01μF 50V K  |       |
| C0211            | QETN1HM-106Z | E CAP.      | 10μF 50V M    |       |
| C0212            | NDC31HJ-101X | C CAP.      | 100pF 50V J   |       |
| C0213            | NDC31HJ-470X | C CAP.      | 47pF 50V J    |       |
| C0214            | NDC31HJ-181X | C CAP.      | 180pF 50V J   |       |
| C0215            | QETN1HM-474Z | E CAP.      | 0.47μF 50V M  |       |
| C0223            | NCB31HK-103X | C CAP.      | 0.01μF 50V K  |       |
| C0226            | NCB31HK-103X | C CAP.      | 0.01μF 50V K  |       |
| C0231-33         | QETN1HM-106Z | E CAP.      | 10μF 50V M    |       |
| C0234            | NCB31HK-103X | C CAP.      | 0.01μF 50V K  |       |
| C0235            | QETN1HM-106Z | E CAP.      | 10μF 50V M    |       |
| C0236            | NCB31HK-103X | C CAP.      | 0.01μF 50V K  |       |
| C0237            | NCB31HK-472X | C CAP.      | 4700pF 50V K  |       |
| C0238-39         | NCB31HK-103X | C CAP.      | 0.01μF 50V K  |       |
| C0241-45         | NCB31HK-103X | C CAP.      | 0.01μF 50V K  |       |
| C0246            | NDC31HJ-181X | C CAP.      | 180pF 50V J   |       |
| C0247-49         | NCB31HK-103X | C CAP.      | 0.01μF 50V K  |       |
| C0251            | QETN1HM-476Z | E CAP.      | 47μF 50V M    |       |
| C0252            | NCB31HK-103X | C CAP.      | 0.01μF 50V K  |       |
| C0253            | NRSA63J-222X | MG R        | 2.2kΩ 1/16W J |       |
| C0255            | NDC31HJ-390X | C CAP.      | 39pF 50V J    |       |
| C0261            | NRSA63J-222X | MG R        | 2.2kΩ 1/16W J |       |
| C0263            | NDC31HJ-150X | C CAP.      | 15pF 50V J    |       |
| C0331            | QETN1CM-107Z | E CAP.      | 100μF 16V M   |       |
| C0332            | NCB31HK-103X | C CAP.      | 0.01μF 50V K  |       |
| C0333            | QETN1EM-476Z | E CAP.      | 47μF 25V M    |       |
| C0334            | NCB21HK-273X | C CAP.      | 0.027μF 50V K |       |
| C0335            | QETN1HM-225Z | E CAP.      | 2.2μF 50V M   |       |
| C0336            | NCB31HK-222X | C CAP.      | 2200pF 50V K  |       |
| C0337            | NCB21HK-104X | C CAP.      | 0.1μF 50V K   |       |
| C0338            | QETN1HM-225Z | E CAP.      | 2.2μF 50V M   |       |
| C0339            | NCB31HK-222X | C CAP.      | 2200pF 50V K  |       |
| C0340            | NCB21HK-104X | C CAP.      | 0.1μF 50V K   |       |
| C0343            | QETN1HM-105Z | E CAP.      | 1μF 50V M     |       |
| C0371-72         | QENC1HM-105Z | E CAP.      | 1μF 50V M     |       |
| C0373            | QETN1EM-476Z | E CAP.      | 47μF 25V M    |       |
| C0391-92         | QETN1HM-474Z | E CAP.      | 0.47μF 50V M  |       |
| C0501-02         | QETN1HM-106Z | E CAP.      | 10μF 50V M    |       |
| C0504-05         | QETN1HM-105Z | E CAP.      | 1μF 50V M     |       |
| C0512-14         | QETN1HM-106Z | E CAP.      | 10μF 50V M    |       |
| C0515-16         | QETN1HM-105Z | E CAP.      | 1μF 50V M     |       |
| C0518            | NCB31HK-103X | C CAP.      | 0.01μF 50V K  |       |
| C0519            | QETN1EM-476Z | E CAP.      | 47μF 25V M    |       |
| C0520            | QETN1HM-106Z | E CAP.      | 10μF 50V M    |       |
| C0521-22         | QETN1EM-476Z | E CAP.      | 47μF 25V M    |       |
| C0531-32         | NCB31HK-103X | C CAP.      | 0.01μF 50V K  |       |
| <b>COIL</b>      |              |             |               |       |
| L0202            | QQL244K-150Z | COIL        | 15μH K        |       |
| L0211            | QQL244K-4R7Z | COIL        | 4.7μH K       |       |
| L0242-43         | QQL244K-4R7Z | COIL        | 4.7μH K       |       |
| L0261            | QQL244K-150Z | COIL        | 15μH K        |       |
| <b>DIODE</b>     |              |             |               |       |
| D0391-92         | MTZJ9.1C-T2  | ZENER DIODE |               |       |
| D0501-07         | MTZJ9.1C-T2  | ZENER DIODE |               |       |
| D0511-16         | MTZJ9.1C-T2  | ZENER DIODE |               |       |

| △ Symbol No.      | Part No.        | Part Name       | Description  | Local |
|-------------------|-----------------|-----------------|--------------|-------|
| <b>TRANSISTOR</b> |                 |                 |              |       |
| Q0211-12          | 2SC2412K/QR/-X  | SI.TRANSISTOR   |              |       |
| Q0218             | 2SC2412K/QR/-X  | SI.TRANSISTOR   |              |       |
| Q0219             | 2SA1037AK/QR/-X | SI.TRANSISTOR   |              |       |
| Q0251             | 2SC2412K/QR/-X  | SI.TRANSISTOR   |              |       |
| Q0253             | 2SC2412K/QR/-X  | SI.TRANSISTOR   |              |       |
| Q0261-62          | 2SC2412K/QR/-X  | SI.TRANSISTOR   |              |       |
| Q0381-82          | UN2212-X        | DEGI.TRANSISTOR |              |       |
| Q0384-87          | DTC323TK-X      | DIGI.TRANSISTOR |              |       |
| Q0505-06          | 2SC2412K/QR/-X  | SI.TRANSISTOR   |              |       |
| Q0508-09          | 2SC2412K/QR/-X  | SI.TRANSISTOR   |              |       |
| Q0510-11          | UN2212-X        | DEGI.TRANSISTOR |              |       |
| <b>IC</b>         |                 |                 |              |       |
| IC0001            | UPC1851BCU      | I.C(MONO-ANA)   |              |       |
| IC0151            | NJM2150AD       | I.C(MONO-ANA)   |              |       |
| IC0201            | TC90A53N        | I.C(DIGI-MOS)   |              |       |
| IC0371            | BA15218N        | I.C(MONO-ANA)   |              |       |
| IC0381            | TC4066BP/N/     | I.C(DIGI-MOS)   |              |       |
| IC0501            | BA7644AN        | I.C(MONO-ANA)   |              |       |
| IC0504            | TC4066BP/N/     | I.C(DIGI-MOS)   |              |       |
| <b>OTHERS</b>     |                 |                 |              |       |
| J0501             | QNZ0454-001     | PIN JACK        |              |       |
| J0502-03          | QNN0348-001     | PIN JACK        |              |       |
| W0060             | NRSA63J-0R0X    | MG R            | 0.0Ω 1/16W J |       |
| W0105             | NRSA63J-0R0X    | MG R            | 0.0Ω 1/16W J |       |
| W0116             | NRSA63J-0R0X    | MG R            | 0.0Ω 1/16W J |       |
| W0165             | NRSA63J-0R0X    | MG R            | 0.0Ω 1/16W J |       |
| W0200-01          | NRSA63J-0R0X    | MG R            | 0.0Ω 1/16W J |       |
| W0254             | NRSA63J-0R0X    | MG R            | 0.0Ω 1/16W J |       |
| W0273             | NRSA63J-0R0X    | MG R            | 0.0Ω 1/16W J |       |
| W0275             | NRSA63J-0R0X    | MG R            | 0.0Ω 1/16W J |       |
| W0277-78          | NRSA63J-0R0X    | MG R            | 0.0Ω 1/16W J |       |
| W0284-86          | NRSA63J-0R0X    | MG R            | 0.0Ω 1/16W J |       |
| W0290             | NRSA63J-0R0X    | MG R            | 0.0Ω 1/16W J |       |
| W0292             | NRSA63J-0R0X    | MG R            | 0.0Ω 1/16W J |       |
| W0302             | NRSA63J-0R0X    | MG R            | 0.0Ω 1/16W J |       |
| W0304-06          | NRSA63J-0R0X    | MG R            | 0.0Ω 1/16W J |       |
| W0309             | NRSA63J-0R0X    | MG R            | 0.0Ω 1/16W J |       |
| W0316             | NRSA63J-0R0X    | MG R            | 0.0Ω 1/16W J |       |
| Y0501-04          | NRSA63J-0R0X    | MG R            | 0.0Ω 1/16W J |       |
| Y0551-52          | NRSA63J-0R0X    | MG R            | 0.0Ω 1/16W J |       |

## REMOTE CONTROL UNIT PARTS LIST (RM-C303G-1A)

| △ Ref.No. | Part No.    | Part Name     | Description | Local |
|-----------|-------------|---------------|-------------|-------|
|           | UR52EC1286C | BATTERY COVER |             |       |

AV-36D202

## DIFFERENCE PARTS LIST BETWEEN AV-36D202/AR, AV-36D202/AH, AV-36D202/AM AND AV-36D202/AY

The picture tubes used for the models AV-36D202/AR, AV-36D202/AH, AV-36D202/AM and AV-36D202/AY are difference. The electrical parts are also difference according to the PICTURE TUBE.

In the DIFFERENCE PARTS LIST BETWEEN AV-36D202/AR, AV-36D202/AH, AV-36D202/AM and AV-36D202/AY, only difference points between these models are written. For other parts not mentioned in the list, please refer to the PARTS LIST(P42 – P47) for the AV-36D202/AR.

## DIFFERENCE PARTS LIST

### MAIN PWB

| △ | Symbol No. | Part No.                             |                                  |                                      |                                      | Part Name       |
|---|------------|--------------------------------------|----------------------------------|--------------------------------------|--------------------------------------|-----------------|
|   |            | AV-36D202/AR                         | AV-36D202/AH                     | AV-36D202/AM                         | AV-36D202/AY                         |                 |
|   |            | <b>SGC-1016A-M2</b>                  | <b>SGC-1017A-M2</b>              | <b>SGC-1018A-M2</b>                  | <b>SGC-1015A-M2</b>                  | <b>MAIN PWB</b> |
|   | R1427      | QRT029J-1R5<br>(1.5Ω, 2W, J)         | QRT029J-1R0<br>(1Ω, 2W, J)       | QRT029J-1R5<br>(1.5Ω, 2W, J)         | ←                                    | FM R            |
|   | R1504      | QRL039J-102<br>(1kΩ, 3W, J)          | ←                                | QRL039J-821<br>(820Ω, 3W, J)         | QRL039J-102<br>(1kΩ, 3W, J)          | OM R            |
|   | R1505      | QRL039J-102<br>(1kΩ, 3W, J)          | ←                                | QRL039J-821<br>(820Ω, 3W, J)         | QRL039J-102<br>(1kΩ, 3W, J)          | OM R            |
| △ | C1510      | QFZ0196-532<br>(5300pF, 1.5kVH, ±3%) | ←                                | QFZ0196-582<br>(5800pF, 1.5kVH, ±3%) | QFZ0196-532<br>(5300pF, 1.5kVH, ±3%) | MPP CAP.        |
| △ | C1515      | QFZ0197-624<br>(0.62μF, 250V, J)     | QFZ0197-564<br>(0.56μF, 250V, J) | QFZ0197-654<br>(0.65μF, 250V, J)     | QFZ0197-624<br>(0.62μF, 250V, J)     | MPP CAP.        |
| △ | L1511      | QQR1027-003                          | ←                                | CE41029-00A                          | ←                                    | LINE FILTER     |
| △ | L1521      | QQLZ018-560<br>(56μH)                | ←                                | QQLZ026-540<br>(54μH)                | QQLZ026-600<br>(60μH)                | HEATER CHOKE    |
| △ | F1901      | QMF51U1-5R0-J8                       | ←                                | QMF51U1-5R0-J5                       | QMF51U1-5R0-J8                       | FUSE            |
| △ | TH1902     | —                                    | —                                | QAD0132-3R0                          | —                                    | W-PTC           |

### CRT SOCKET PWB

| △ | Symbol No. | Part No.            |                     |                     |                     | Part Name             |
|---|------------|---------------------|---------------------|---------------------|---------------------|-----------------------|
|   |            | AV-36D202/AR        | AV-36D202/AH        | AV-36D202/AM        | AV-36D202/AY        |                       |
|   |            | <b>SGC-3007A-M2</b> | <b>SGC-3008A-M2</b> | <b>SGC-3006A-M2</b> | <b>SGC-3010A-M2</b> | <b>CRT SOCKET PWB</b> |

**PRINTED WIRING BOARD PARTS LIST (AV-36D302/AR)****MAIN PW BOARD ASS'Y(SGC-1016A-M2)**

| △ Symbol No.  | Part No. | Part Name | Description | Local |
|---|----------|-----------|-------------|-------|
| Parts list is the same as for AV-36D202/AR. Refer to pages 42 – 45. |          |           |             |       |

**FRONT AV INPUT PW BOARD ASS'Y(SGC-8601A-M2)**

| △ Symbol No.  | Part No. | Part Name | Description | Local |
|---|----------|-----------|-------------|-------|
| Parts list is the same as for AV-36D202/AR. Refer to page 46. |          |           |             |       |

**CRT SOCKET PW BOARD ASS'Y(SGC-3007A-M2)**

| △ Symbol No.  | Part No. | Part Name | Description | Local |
|---|----------|-----------|-------------|-------|
| Parts list is the same as for AV-36D202/AR. Refer to page 45. |          |           |             |       |

**AV SELECTOR PW BOARD ASS'Y(SGC0S002A-M2)**

| △ Symbol No.  | Part No. | Part Name | Description | Local |
|---|----------|-----------|-------------|-------|
| Parts list is the same as for AV-36D202/AR. Refer to pages 46 – 47. |          |           |             |       |

**FRONT CONTROL PW BOARD ASS'Y(SGC-8501A-M2)**

| △ Symbol No.  | Part No. | Part Name | Description | Local |
|---|----------|-----------|-------------|-------|
| Parts list is the same as for AV-36D202/AR. Refer to pages 45 – 46. |          |           |             |       |

**REMOTE CONTROL UNIT PARTS LIST(RM-C303G-1A)**

| △ Ref.No. | Part No.    | Part Name     | Description | Local |
|-----------|-------------|---------------|-------------|-------|
|           | UR52EC1286C | BATTERY COVER |             |       |

## DIFFERENCE PARTS LIST BETWEEN AV-36D302/AR, AV-36D302/AH, AV-36D302/AM AND AV-36D302/AY

The picture tubes used for the models AV-36D302/AR, AV-36D302/AH, AV-36D302/AM and AV-36D302/AY are difference. The electrical parts are also difference according to the PICTURE TUBE.

In the DIFFERENCE PARTS LIST BETWEEN AV-36D302/AR, AV-36D302/AH, AV-36D302/AM and AV-36D302/AY, only difference points between these models are written. For other parts not mentioned in the list, please refer to the PARTS LIST(P42 – P47) for the AV-36D202/AR.

## DIFFERENCE PARTS LIST

### MAIN PWB

| △ | Symbol No. | Part No.                             |                                  |                                      |                                      | Part Name       |
|---|------------|--------------------------------------|----------------------------------|--------------------------------------|--------------------------------------|-----------------|
|   |            | AV-36D302/AR                         | AV-36D302/AH                     | AV-36D302/AM                         | AV-36D302/AY                         |                 |
|   |            | <b>SGC-1016A-M2</b>                  | <b>SGC-1017A-M2</b>              | <b>SGC-1018A-M2</b>                  | <b>SGC-1015A-M2</b>                  | <b>MAIN PWB</b> |
|   | R1427      | QRT029J-1R5<br>(1.5Ω, 2W, J)         | QRT029J-1R0<br>(1Ω, 2W, J)       | QRT029J-1R5<br>(1.5Ω, 2W, J)         | ←                                    | FM R            |
|   | R1504      | QRL039J-102<br>(1kΩ, 3W, J)          | ←                                | QRL039J-821<br>(820Ω, 3W, J)         | QRL039J-102<br>(1kΩ, 3W, J)          | OM R            |
|   | R1505      | QRL039J-102<br>(1kΩ, 3W, J)          | ←                                | QRL039J-821<br>(820Ω, 3W, J)         | QRL039J-102<br>(1kΩ, 3W, J)          | OM R            |
| △ | C1510      | QFZ0196-532<br>(5300pF, 1.5kVH, ±3%) | ←                                | QFZ0196-582<br>(5800pF, 1.5kVH, ±3%) | QFZ0196-532<br>(5300pF, 1.5kVH, ±3%) | MPP CAP.        |
| △ | C1515      | QFZ0197-624<br>(0.62μF, 250V, J)     | QFZ0197-564<br>(0.56μF, 250V, J) | QFZ0197-654<br>(0.65μF, 250V, J)     | QFZ0197-624<br>(0.62μF, 250V, J)     | MPP CAP.        |
| △ | L1511      | QQR1027-003                          | ←                                | CE41029-00A                          | ←                                    | LINE FILTER     |
| △ | L1521      | QQLZ018-560<br>(56μH)                | ←                                | QQLZ026-540<br>(54μH)                | QQLZ026-600<br>(60μH)                | HEATER CHOKE    |
| △ | F1901      | QMF51U1-5R0-J8                       | ←                                | QMF51U1-5R0-J5                       | QMF51U1-5R0-J8                       | FUSE            |
| △ | TH1902     | —                                    | —                                | QAD0132-3R0                          | —                                    | W-PTC           |

### CRT SOCKET PWB

| △ | Symbol No. | Part No.            |                     |                     |                     | Part Name             |
|---|------------|---------------------|---------------------|---------------------|---------------------|-----------------------|
|   |            | AV-36D202/AR        | AV-36D202/AH        | AV-36D202/AM        | AV-36D202/AY        |                       |
|   |            | <b>SGC-3007A-M2</b> | <b>SGC-3008A-M2</b> | <b>SGC-3006A-M2</b> | <b>SGC-3010A-M2</b> | <b>CRT SOCKET PWB</b> |

# PRINTED WIRING BOARD PARTS LIST (AV-36D502/AR)

## MAIN PW BOARD ASS'Y(SGC-1008A-M2)

| △ Symbol No.    | Part No.     | Part Name | Description   | Local | △ Symbol No.    | Part No.     | Part Name | Description    | Local |
|-----------------|--------------|-----------|---------------|-------|-----------------|--------------|-----------|----------------|-------|
| <b>RESISTOR</b> |              |           |               |       | <b>RESISTOR</b> |              |           |                |       |
| R1001           | NRSA63J-473X | MG R      | 47kΩ 1/16W J  |       | R1512           | QRE121J-681Y | C R       | 680Ω 1/2W J    |       |
| R1002           | NRSA63J-0R0X | MG R      | 0.0Ω 1/16W J  |       | △ R1523         | QRJ146J-333X | C R       | 33kΩ 1/4W J    |       |
| R1003-04        | NRSA63J-221X | MG R      | 220Ω 1/16W J  |       | △ R1525         | QRZ9011-470  | F R       | 47Ω 1/2W J     |       |
| R1011           | NRSA63J-820X | MG R      | 82Ω 1/16W J   |       | R1526           | QRE121J-272Y | C R       | 2.7kΩ 1/2W J   |       |
| R1012           | NRSA63J-182X | MG R      | 1.8kΩ 1/16W J |       | R1527-28        | QRE121J-154Y | C R       | 150kΩ 1/2W J   |       |
| R1013           | NRSA63J-562X | MG R      | 5.6kΩ 1/16W J |       | R1529           | NRSA63J-331X | MG R      | 330Ω 1/16W J   |       |
| R1014           | QRE121J-101Y | C R       | 100Ω 1/2W J   |       | △ R1531         | QRJ146J-391X | C R       | 390Ω 1/4W J    |       |
| R1015           | NRSA63J-180X | MG R      | 18Ω 1/16W J   |       | R1532           | NRSA63J-273X | MG R      | 27kΩ 1/16W J   |       |
| R1016           | NRSA63J-270X | MG R      | 27Ω 1/16W J   |       | R1533-34        | NRSA63J-123X | MG R      | 12kΩ 1/16W J   |       |
| R1018           | NRSA63J-104X | MG R      | 100kΩ 1/16W J |       | △ R1535         | NRVA02D-222X | MF R      | 2.2kΩ 1/10W D  |       |
| R1020           | NRSA63J-332X | MG R      | 3.3kΩ 1/16W J |       | △ R1537         | NRVA02D-752X | MF R      | 7500pF 1/10W D |       |
| R1021           | NRSA63J-123X | MG R      | 12kΩ 1/16W J  |       | R1538           | NRSA63J-333X | MG R      | 33kΩ 1/16W J   |       |
| R1022           | NRSA63J-151X | MG R      | 150Ω 1/16W J  |       | R1543           | QRE121J-122Y | C R       | 1.2kΩ 1/2W J   |       |
| R1023           | NRSA63J-101X | MG R      | 100Ω 1/16W J  |       | R1544           | QRE121J-392Y | C R       | 3.9kΩ 1/2W J   |       |
| R1024           | NRSA63J-102X | MG R      | 1kΩ 1/16W J   |       | R1545           | QRE121J-822Y | C R       | 8.2kΩ 1/2W J   |       |
| R1025           | NRSA63J-561X | MG R      | 560Ω 1/16W J  |       | R1546           | NRSA63J-331X | MG R      | 330Ω 1/16W J   |       |
| R1026           | NRSA63J-331X | MG R      | 330Ω 1/16W J  |       | R1547           | NRSA63J-104X | MG R      | 100kΩ 1/16W J  |       |
| R1028           | NRSA63J-821X | MG R      | 820Ω 1/16W J  |       | R1548           | QRE121J-152Y | C R       | 1.5kΩ 1/2W J   |       |
| R1038           | NRSA63J-272X | MG R      | 2.7kΩ 1/16W J |       | R1553           | QRL039J-180  | OM R      | 18Ω 3W J       |       |
| R1041           | NRSA63J-272X | MG R      | 2.7kΩ 1/16W J |       | R1601-03        | NRSA63J-750X | MG R      | 75Ω 1/16W J    |       |
| R1042-43        | NRSA63J-102X | MG R      | 1kΩ 1/16W J   |       | R1610-12        | NRSA63J-0R0X | MG R      | 0.0Ω 1/16W J   |       |
| R1047           | NRSA63J-153X | MG R      | 15kΩ 1/16W J  |       | R1621           | NRSA63J-222X | MG R      | 2.2kΩ 1/16W J  |       |
| R1048           | NRSA63J-154X | MG R      | 150kΩ 1/16W J |       | R1622           | NRSA63J-221X | MG R      | 220Ω 1/16W J   |       |
| R1101-02        | NRSA63J-101X | MG R      | 100Ω 1/16W J  |       | R1623           | NRSA63J-222X | MG R      | 2.2kΩ 1/16W J  |       |
| R1111           | NRSA63J-105X | MG R      | 1MΩ 1/16W J   |       | R1624           | NRSA63J-221X | MG R      | 220Ω 1/16W J   |       |
| R1131           | NRSA63J-0R0X | MG R      | 0.0Ω 1/16W J  |       | R1626-27        | NRSA63J-223X | MG R      | 22kΩ 1/16W J   |       |
| R1134           | NRSA63J-562X | MG R      | 5.6kΩ 1/16W J |       | R1631           | NRSA63J-333X | MG R      | 33kΩ 1/16W J   |       |
| R1135-39        | NRSA63J-102X | MG R      | 1kΩ 1/16W J   |       | R1632           | NRSA63J-223X | MG R      | 22kΩ 1/16W J   |       |
| R1140           | NRSA63J-562X | MG R      | 5.6kΩ 1/16W J |       | R1634           | NRSA63J-0R0X | MG R      | 0.0Ω 1/16W J   |       |
| R1201           | NRSA63J-333X | MG R      | 33kΩ 1/16W J  |       | R1700-02        | NRSA63J-102X | MG R      | 1kΩ 1/16W J    |       |
| R1231           | NRSA63J-0R0X | MG R      | 0.0Ω 1/16W J  |       | R1704-05        | NRSA63J-472X | MG R      | 4.7kΩ 1/16W J  |       |
| R1237           | NRSA63J-392X | MG R      | 3.9kΩ 1/16W J |       | R1706-07        | NRSA63J-103X | MG R      | 10kΩ 1/16W J   |       |
| R1238           | NRSA63J-473X | MG R      | 47kΩ 1/16W J  |       | R1708-09        | NRSA63J-101X | MG R      | 100Ω 1/16W J   |       |
| R1241           | NRSA63J-332X | MG R      | 3.3kΩ 1/16W J |       | R1714           | NRSA63J-823X | MG R      | 82kΩ 1/16W J   |       |
| R1243           | NRSA63J-152X | MG R      | 1.5kΩ 1/16W J |       | R1715           | NRSA63J-103X | MG R      | 10kΩ 1/16W J   |       |
| R1281           | NRSA63J-182X | MG R      | 1.8kΩ 1/16W J |       | R1721-22        | NRSA63J-102X | MG R      | 1kΩ 1/16W J    |       |
| R1282           | NRSA63J-392X | MG R      | 3.9kΩ 1/16W J |       | R1724           | NRSA63J-102X | MG R      | 1kΩ 1/16W J    |       |
| R1283           | NRSA63J-681X | MG R      | 680Ω 1/16W J  |       | R1726           | NRSA63J-102X | MG R      | 1kΩ 1/16W J    |       |
| R1286           | NRSA63J-472X | MG R      | 4.7kΩ 1/16W J |       | R1728           | NRSA63J-102X | MG R      | 1kΩ 1/16W J    |       |
| R1287           | NRSA63J-101X | MG R      | 100Ω 1/16W J  |       | R1729           | NRSA63J-223X | MG R      | 22kΩ 1/16W J   |       |
| R1288           | NRSA02J-471X | MG R      | 470Ω 1/10W J  |       | R1731-32        | NRSA63J-101X | MG R      | 100Ω 1/16W J   |       |
| R1289           | NRSA63J-154X | MG R      | 150kΩ 1/16W J |       | R1733-34        | NRSA63J-562X | MG R      | 5.6kΩ 1/16W J  |       |
| R1290           | NRSA02J-561X | MG R      | 560Ω 1/10W J  |       | R1737           | NRSA63J-222X | MG R      | 2.2kΩ 1/16W J  |       |
| R1292           | NRSA63J-124X | MG R      | 120kΩ 1/16W J |       | R1738           | NRSA63J-102X | MG R      | 1kΩ 1/16W J    |       |
| R1293           | NRSA63J-224X | MG R      | 220kΩ 1/16W J |       | R1739           | NRSA63J-272X | MG R      | 2.7kΩ 1/16W J  |       |
| R1294           | NRSA63J-101X | MG R      | 100Ω 1/16W J  |       | R1740           | NRSA63J-103X | MG R      | 10kΩ 1/16W J   |       |
| R1295           | NRSA63J-222X | MG R      | 2.2kΩ 1/16W J |       | R1741           | NRSA63J-0R0X | MG R      | 0.0Ω 1/16W J   |       |
| R1301-03        | NRSA63J-222X | MG R      | 2.2kΩ 1/16W J |       | R1742-43        | NRSA63J-103X | MG R      | 10kΩ 1/16W J   |       |
| R1304-06        | NRSA63J-101X | MG R      | 100Ω 1/16W J  |       | R1745           | NRSA63J-0R0X | MG R      | 0.0Ω 1/16W J   |       |
| R1354-55        | NRSA63J-0R0X | MG R      | 0.0Ω 1/16W J  |       | R1749-51        | NRSA63J-222X | MG R      | 2.2kΩ 1/16W J  |       |
| R1356           | NRSA63J-123X | MG R      | 12kΩ 1/16W J  |       | R1752           | NRSA63J-102X | MG R      | 1kΩ 1/16W J    |       |
| R1359           | NRSA63J-103X | MG R      | 10kΩ 1/16W J  |       | R1753           | NRSA63J-0R0X | MG R      | 0.0Ω 1/16W J   |       |
| R1360           | NRSA63J-0R0X | MG R      | 0.0Ω 1/16W J  |       | R1754           | NRSA63J-102X | MG R      | 1kΩ 1/16W J    |       |
| R1421           | NRSA63J-822X | MG R      | 8.2kΩ 1/16W J |       | R1755           | NRSA63J-153X | MG R      | 15kΩ 1/16W J   |       |
| R1423-24        | NRSA63J-393X | MG R      | 39kΩ 1/16W J  |       | R1756           | NRSA63J-103X | MG R      | 10kΩ 1/16W J   |       |
| R1426           | NRSA63J-183X | MG R      | 18kΩ 1/16W J  |       | R1763           | NRSA63J-103X | MG R      | 10kΩ 1/16W J   |       |
| R1427           | QRT029J-1R5  | MF R      | 1.5Ω 2W J     |       | R1764-68        | NRSA63J-221X | MG R      | 220Ω 1/16W J   |       |
| R1429           | NRSA63J-272X | MG R      | 2.7kΩ 1/16W J |       | R1769           | NRSA63J-682X | MG R      | 6.8kΩ 1/16W J  |       |
| R1430           | NRSA63J-0R0X | MG R      | 0.0Ω 1/16W J  |       | R1772           | NRSA63J-103X | MG R      | 10kΩ 1/16W J   |       |
| R1431           | NRSA63J-152X | MG R      | 1.5kΩ 1/16W J |       | R1775           | NRSA63J-473X | MG R      | 47kΩ 1/16W J   |       |
| R1432           | NRSA63J-101X | MG R      | 100Ω 1/16W J  |       | R1776           | NRSA63J-103X | MG R      | 10kΩ 1/16W J   |       |
| R1433           | NRSA63J-681X | MG R      | 680Ω 1/16W J  |       | R1793-95        | NRSA63J-331X | MG R      | 330Ω 1/16W J   |       |
| R1434           | QRL029J-181  | OM R      | 180Ω 2W J     |       | R1798-99        | NRSA63J-103X | MG R      | 10kΩ 1/16W J   |       |
| R1435           | QRE121J-102Y | C R       | 1kΩ 1/2W J    |       | R1800           | NRSA63J-102X | MG R      | 1kΩ 1/16W J    |       |
| R1441-42        | NRSA63J-0R0X | MG R      | 0.0Ω 1/16W J  |       | R1806           | NRSA63J-0R0X | MG R      | 0.0Ω 1/16W J   |       |
| R1444           | NRSA63J-183X | MG R      | 18kΩ 1/16W J  |       | R1807           | NRSA63J-222X | MG R      | 2.2kΩ 1/16W J  |       |
| R1445           | NRSA63J-103X | MG R      | 10kΩ 1/16W J  |       | R1810           | NRSA63J-0R0X | MG R      | 0.0Ω 1/16W J   |       |
| R1501           | NRSA63J-0R0X | MG R      | 0.0Ω 1/16W J  |       | R1811           | NRSA63J-473X | MG R      | 47kΩ 1/16W J   |       |
| R1502           | NRSA63J-271X | MG R      | 270Ω 1/16W J  |       | R1812           | NRSA63J-102X | MG R      | 1kΩ 1/16W J    |       |
| R1503           | QRE121J-103Y | C R       | 10kΩ 1/2W J   |       | R1814           | NRSA63J-104X | MG R      | 100kΩ 1/16W J  |       |
| R1504-05        | QRL039J-102  | OM R      | 1kΩ 3W J      |       | R1815           | NRSA63J-154X | MG R      | 150kΩ 1/16W J  |       |
| R1511           | QRE121J-220Y | C R       | 22Ω 1/2W J    |       | R1816           | NRSA63J-0R0X | MG R      | 0.0Ω 1/16W J   |       |

| △               | Symbol No. | Part No.     | Part Name | Description   | Local |
|-----------------|------------|--------------|-----------|---------------|-------|
| <b>RESISTOR</b> |            |              |           |               |       |
|                 | R1817      | NRSA63J-104X | MG R      | 100kΩ 1/16W J |       |
|                 | R1818      | NRSA63J-0R0X | MG R      | 0.0Ω 1/16W J  |       |
|                 | R1821      | NRSA63J-104X | MG R      | 100kΩ 1/16W J |       |
|                 | R1822      | NRSA63J-124X | MG R      | 120kΩ 1/16W J |       |
|                 | R1824      | NRSA63J-103X | MG R      | 10kΩ 1/16W J  |       |
|                 | R1827      | NRSA63J-102X | MG R      | 1kΩ 1/16W J   |       |
|                 | R1856      | QRX039J-6R8  | MF R      | 6.8Ω 3W J     |       |
| △               | R1857      | QRL029J-270  | OM R      | 27Ω 2W J      |       |
| △               | R1858      | QRL029J-180  | OM R      | 18Ω 2W J      |       |
| △               | R1901      | QRF074K-R47  | UNF R     | 0.47Ω 7W K    |       |
| △               | R1909      | QRG01GJ-470  | OM R      | 47Ω 1W J      |       |
|                 | R1911      | QRE121J-223Y | C R       | 22kΩ 1/2W J   |       |
|                 | R1912-13   | QRT029J-R22  | MF R      | 0.22Ω 2W J    |       |
|                 | R1914      | QRK126J-681X | C R       | 680Ω 1/2W J   |       |
|                 | R1915      | QRE121J-6R8Y | C R       | 6.8Ω 1/2W J   |       |
| △               | R1917      | QRK126J-332X | C R       | 3.3kΩ 1/2W J  |       |
|                 | R1918      | QRE121J-222Y | C R       | 2.2kΩ 1/2W J  |       |
|                 | R1919      | QRE121J-684Y | C R       | 680kΩ 1/2W J  |       |
|                 | R1924      | QRE121J-222Y | C R       | 2.2kΩ 1/2W J  |       |
|                 | R1930      | QRE121J-223Y | C R       | 22kΩ 1/2W J   |       |
|                 | R1939      | QRT039J-2R2  | MF R      | 2.2Ω 3W J     |       |
|                 | R1940      | QRE121J-181Y | C R       | 180Ω 1/2W J   |       |
|                 | R1941      | QRL029J-183  | OM R      | 18kΩ 2W J     |       |
|                 | R1951      | NRSA63J-473X | MG R      | 47kΩ 1/16W J  |       |
|                 | R1952      | NRSA63J-102X | MG R      | 1kΩ 1/16W J   |       |
|                 | R1953      | QRE121J-820Y | C R       | 82Ω 1/2W J    |       |
|                 | R1973      | QRE121J-272Y | C R       | 2.7kΩ 1/2W J  |       |
|                 | R1975      | QRE121J-223Y | C R       | 22kΩ 1/2W J   |       |
|                 | R1977      | QRE121J-473Y | C R       | 47kΩ 1/2W J   |       |
|                 | R1978      | NRSA63J-333X | MG R      | 33kΩ 1/16W J  |       |
|                 | R1979      | QRT029J-1R2  | MF R      | 1.2Ω 2W J     |       |
|                 | R1980      | QRT029J-1R2  | MF R      | 1.2Ω 2W J     |       |
| △               | R1998      | QRZ904I-275  | C R       | 2.7MΩ 1/2W K  |       |
|                 | R1999      | QRE121J-121Y | C R       | 120Ω 1/2W J   |       |

**CAPACITOR**

|          |              |         |        |      |   |
|----------|--------------|---------|--------|------|---|
| C1001    | QETN1HM-475Z | E CAP.  | 4.7μF  | 50V  | M |
| C1002    | QETN1HM-106Z | E CAP.  | 10μF   | 50V  | M |
| C1003    | QETN1CM-108Z | E CAP.  | 1000μF | 16V  | M |
| C1011-12 | NCB31HK-103X | C CAP.  | 0.01μF | 50V  | K |
| C1013    | NDC31HJ-151X | C CAP.  | 150pF  | 50V  | J |
| C1014    | QETN1CM-107Z | E CAP.  | 100μF  | 16V  | M |
| C1015-16 | NCB31HK-103X | C CAP.  | 0.01μF | 50V  | K |
| C1021    | QFV71HJ-824Z | MF CAP. | 0.82μF | 50V  | J |
| C1023    | QETN1CM-107Z | E CAP.  | 100μF  | 16V  | M |
| C1024    | NCB31HK-103X | C CAP.  | 0.01μF | 50V  | K |
| C1025    | NCB31HK-102X | C CAP.  | 1000pF | 50V  | K |
| C1026    | QETN1HM-474Z | E CAP.  | 0.47μF | 50V  | M |
| C1027    | NCB21HK-104X | C CAP.  | 0.1μF  | 50V  | K |
| C1028    | QETN1HM-106Z | E CAP.  | 10μF   | 50V  | M |
| C1030    | NCB31HK-103X | C CAP.  | 0.01μF | 50V  | K |
| C1034    | NCB31HK-103X | C CAP.  | 0.01μF | 50V  | K |
| C1036    | QETN1AM-477Z | E CAP.  | 470μF  | 10V  | M |
| C1037    | NCB31HK-103X | C CAP.  | 0.01μF | 50V  | K |
| C1038    | QETN1CM-107Z | E CAP.  | 100μF  | 16V  | M |
| C1041-42 | QETN1HM-106Z | E CAP.  | 10μF   | 50V  | M |
| C1043-44 | NDC31HJ-470X | C CAP.  | 47pF   | 50V  | J |
| C1045    | QETN1HM-106Z | E CAP.  | 10μF   | 50V  | M |
| C1046    | NCB31HK-103X | C CAP.  | 0.01μF | 50V  | K |
| C1047    | NDC21HJ-330X | C CAP.  | 33pF   | 50V  | J |
| C1048    | NCB31HK-103X | C CAP.  | 0.01μF | 50V  | K |
| C1111    | QETN0JM-228Z | E CAP.  | 2200μF | 6.3V | M |
| C1112    | NCB31HK-103X | C CAP.  | 0.01μF | 50V  | K |
| C1113    | QETN1HM-474Z | E CAP.  | 0.47μF | 50V  | M |
| C1114    | QETN1HM-105Z | E CAP.  | 1μF    | 50V  | M |
| C1115    | QFV71HJ-104Z | MF CAP. | 0.1μF  | 50V  | J |
| C1116    | NCB31EK-104X | C CAP.  | 0.1μF  | 25V  | K |
| C1134    | NDC31HJ-470X | C CAP.  | 47pF   | 50V  | J |
| C1135    | NDC31HJ-330X | C CAP.  | 33pF   | 50V  | J |
| C1136    | QENC1CM-106Z | E CAP.  | 10μF   | 16V  | M |
| C1151    | NCB31HK-103X | C CAP.  | 0.01μF | 50V  | K |

| △                | Symbol No. | Part No.     | Part Name | Description | Local      |
|------------------|------------|--------------|-----------|-------------|------------|
| <b>CAPACITOR</b> |            |              |           |             |            |
|                  | C1201      | NDC31HJ-100X | C CAP.    | 10pF        | 50V J      |
|                  | C1202      | QETN1HM-224Z | E CAP.    | 0.22μF      | 50V M      |
|                  | C1203      | NCB31HK-222X | C CAP.    | 2200pF      | 50V K      |
|                  | C1233      | NDC31HJ-560X | C CAP.    | 56pF        | 50V J      |
|                  | C1237      | NCB31HK-103X | C CAP.    | 0.01μF      | 50V K      |
|                  | C1281      | QFV71HJ-474Z | MF CAP.   | 0.47μF      | 50V J      |
|                  | C1282      | QETN1CM-227Z | E CAP.    | 220μF       | 16V M      |
|                  | C1283      | NCB31HK-103X | C CAP.    | 0.01μF      | 50V K      |
|                  | C1284      | QETN1HM-225Z | E CAP.    | 2.2μF       | 50V M      |
|                  | C1285      | NCB31HK-103X | C CAP.    | 0.01μF      | 50V K      |
|                  | C1286      | QETN1HM-106Z | E CAP.    | 10μF        | 50V M      |
|                  | C1287      | QETN1CM-107Z | E CAP.    | 100μF       | 16V M      |
|                  | C1288      | NCB31HK-103X | C CAP.    | 0.01μF      | 50V K      |
|                  | C1352      | QETN1CM-336Z | E CAP.    | 33μF        | 16V M      |
|                  | C1354      | QFV71HJ-154Z | MF CAP.   | 0.15μF      | 50V J      |
|                  | C1391      | QETN1CM-107Z | E CAP.    | 100μF       | 16V M      |
|                  | C1392      | NCB31HK-103X | C CAP.    | 0.01μF      | 50V K      |
|                  | C1393-95   | NCB31EK-104X | C CAP.    | 0.1μF       | 25V K      |
|                  | C1421      | NCB21HK-102X | C CAP.    | 1000pF      | 50V K      |
|                  | C1422      | QFLC1HJ-103Z | M CAP.    | 0.01μF      | 50V J      |
|                  | C1424      | QETN1VM-107Z | E CAP.    | 100μF       | 35V M      |
|                  | C1425      | QETN1VM-477Z | E CAP.    | 470μF       | 35V M      |
|                  | C1427      | QETN1HM-105Z | E CAP.    | 1μF         | 50V M      |
|                  | C1428      | QETM1EM-228  | E CAP.    | 2200μF      | 25V M      |
|                  | C1430      | NCB21CK-474X | C CAP.    | 0.47μF      | 16V K      |
|                  | C1431      | QFLC2AK-563Z | M CAP.    | 0.056μF     | 100V K     |
|                  | C1433      | QETN1EM-476Z | E CAP.    | 47μF        | 25V M      |
|                  | C1434      | NDC21HJ-100X | C CAP.    | 10pF        | 50V J      |
|                  | C1435      | NCB21HK-183X | C CAP.    | 0.018μF     | 50V K      |
|                  | C1501      | QCB32HK-151Z | C CAP.    | 150pF       | 500V K     |
|                  | C1502      | QCB32HK-331Z | C CAP.    | 330pF       | 500V K     |
|                  | C1503      | QEHR2CM-105Z | E CAP.    | 1μF         | 160V M     |
|                  | C1504      | QEZ0203-107  | E CAP.    | 100μF       | 160V M     |
|                  | C1507-08   | QEM61HK-475Z | E CAP.    | 4.7μF       | 50V K      |
| △                | C1510      | QFZ0196-532  | MPP CAP.  | 5300pF      | 1.5kVH ±3% |
| △                | C1513      | QFZ0198-133  | MPP CAP.  | 0.013μF     | 1.5kVH ±3% |
| △                | C1514      | QFP32GJ-183  | PP CAP.   | 0.018μF     | 400V J     |
| △                | C1515      | QFZ0197-624  | MPP CAP.  | 0.62μF      | 250V J     |
|                  | C1516      | QCB32HK-561Z | C CAP.    | 560pF       | 500V K     |
|                  | C1521      | QETN2EM-106Z | E CAP.    | 10μF        | 250V M     |
|                  | C1523      | QEHR1VM-108Z | E CAP.    | 1000μF      | 35V M      |
|                  | C1525      | QETN1VM-107Z | E CAP.    | 100μF       | 35V M      |
|                  | C1526      | QFV21HJ-824Z | MF CAP.   | 0.82μF      | 50V J      |
|                  | C1527      | QFLC2AJ-103Z | M CAP.    | 0.01μF      | 100V J     |
|                  | C1531      | QCB32HK-102Z | C CAP.    | 1000pF      | 500V K     |
|                  | C1533      | QETN1HM-106Z | E CAP.    | 10μF        | 50V M      |
|                  | C1601-03   | QETN1EM-476Z | E CAP.    | 47μF        | 25V M      |
|                  | C1609-11   | QFV71HJ-104Z | MF CAP.   | 0.1μF       | 50V J      |
|                  | C1621      | NCB31HK-102X | C CAP.    | 1000pF      | 50V K      |
|                  | C1622      | NCF21CZ-105X | C CAP.    | 1μF         | 16V Z      |
|                  | C1623      | NCB31HK-102X | C CAP.    | 1000pF      | 50V K      |
|                  | C1624      | NCF21CZ-105X | C CAP.    | 1μF         | 16V Z      |
|                  | C1625      | QETN1CM-107Z | E CAP.    | 100μF       | 16V M      |
|                  | C1626      | QETN1EM-108Z | E CAP.    | 1000μF      | 25V M      |
|                  | C1627      | QETN1HM-474Z | E CAP.    | 0.47μF      | 50V M      |
|                  | C1628-29   | QETN1EM-108Z | E CAP.    | 1000μF      | 25V M      |
|                  | C1634      | QETN1HM-106Z | E CAP.    | 10μF        | 50V M      |
|                  | C1700      | NCB31HK-102X | C CAP.    | 1000pF      | 50V K      |
|                  | C1702      | NCB31EK-104X | C CAP.    | 0.1μF       | 25V K      |
|                  | C1703      | NDC31HJ-181X | C CAP.    | 180pF       | 50V J      |
|                  | C1706      | QETN1HM-105Z | E CAP.    | 1μF         | 50V M      |
|                  | C1707      | QETN1CM-107Z | E CAP.    | 100μF       | 16V M      |
|                  | C1710      | NCB31CK-683X | C CAP.    | 0.068μF     | 16V K      |
|                  | C1721      | NCB31HK-103X | C CAP.    | 0.01μF      | 50V K      |
|                  | C1722-23   | NDC31HJ-390X | C CAP.    | 39pF        | 50V J      |
|                  | C1724      | NDC31HJ-471X | C CAP.    | 470pF       | 50V J      |
|                  | C1726      | NDC31HJ-561X | C CAP.    | 560pF       | 50V J      |
|                  | C1728      | NCB31HK-103X | C CAP.    | 0.01μF      | 50V K      |
|                  | C1800      | QETN1EM-107Z | E CAP.    | 100μF       | 25V M      |
|                  | C1801      | NCB31EK-104X | C CAP.    | 0.1μF       | 25V K      |
|                  | C1802      | QETN1CM-107Z | E CAP.    | 100μF       | 16V M      |
|                  | C1804      | NCB31HK-103X | C CAP.    | 0.01μF      | 50V K      |
|                  | C1807      | QETN1HM-106Z | E CAP.    | 10μF        | 50V M      |



| △                  | Symbol No. | Part No.     | Part Name       | Description   | Local  | △                 | Symbol No.      | Part No.        | Part Name       | Description | Local |
|--------------------|------------|--------------|-----------------|---------------|--------|-------------------|-----------------|-----------------|-----------------|-------------|-------|
| <b>CAPACITOR</b>   |            |              |                 |               |        | <b>DIODE</b>      |                 |                 |                 |             |       |
|                    | C1810      | QENC1HM-474Z | BP E CAP.       | 0.47μF 50V    | M      | △                 | D1523           | RGP10J-5025-T3  | SI.DIODE        |             |       |
|                    | C1811      | QENC1HM-105Z | E CAP.          | 1μF 50V       | M      |                   | D1525-26        | 1SS81-T5        | SI.DIODE        |             |       |
|                    | C1812-13   | NCB31HK-102X | C CAP.          | 1000pF 50V    | K      |                   | D1527           | 1SR124-400A-T2  | SI.DIODE        |             |       |
|                    | C1816      | NCB31HK-153X | C CAP.          | 0.015μF 50V   | K      |                   | D1529           | MTZJ5.1C-T2     | ZENER DIODE     |             |       |
|                    | C1853-54   | QETN1CM-107Z | E CAP.          | 100μF 16V     | M      | △                 | D1531           | MA4068N/Z1/-T2  | ZENER DIODE     |             |       |
|                    | C1856-57   | QETN1CM-107Z | E CAP.          | 100μF 16V     | M      |                   | D1535           | 1SS133-T2       | SI.DIODE        |             |       |
| △                  | C1901      | QFZ9067-104  | MM CAP.         | 0.1μF         |        |                   | D1537           | 1SR35-400A-T2   | SI.DIODE        |             |       |
| △                  | C1902      | QFZ9067-473  | MM CAP.         | 0.047μF       |        |                   | D1601           | MTZJ9.1C-T2     | ZENER DIODE     |             |       |
| △                  | C1904-06   | QCZ9054-102  | C CAP.          | 1000pF AC250V | Z      |                   | D1603           | MTZJ9.1C-T2     | ZENER DIODE     |             |       |
| △                  | C1907      | QEZO169-477  | E.CAPACITOR     |               |        |                   | D1606           | MTZJ9.1C-T2     | ZENER DIODE     |             |       |
| △                  | C1908      | QCZ9054-102  | C CAP.          | 1000pF AC250V | Z      |                   | D1700           | MTZJ5.6B-T2     | ZENER DIODE     |             |       |
|                    | C1912      | QCZO340-222  | C CAP.          | 2200pF        |        |                   | D1701           | 1SS133-T2       | SI.DIODE        |             |       |
|                    | C1913      | QFLC1HJ-471Z | M CAP.          | 470pF 50V     | J      |                   | D1703-04        | MTZJ5.6B-T2     | ZENER DIODE     |             |       |
|                    | C1914      | QETN1HM-107Z | E CAP.          | 100μF 50V     | M      |                   | D1716           | 1SS133-T2       | SI.DIODE        |             |       |
|                    | C1916      | NDC31HJ-331X | C CAP.          | 330pF 50V     | J      |                   | D1721-22        | 1SS133-T2       | SI.DIODE        |             |       |
|                    | C1917      | NCB31HK-182X | C CAP.          | 1800pF 50V    | K      |                   | D1723-24        | MTZJ5.6B-T2     | ZENER DIODE     |             |       |
|                    | C1918      | NCB21HK-104X | C CAP.          | 0.1μF 50V     | K      |                   | D1801           | 1SS133-T2       | SI.DIODE        |             |       |
|                    | C1919      | QFP32GJ-103  | PP CAP.         | 0.01μF 400V   | J      |                   | D1810           | MTZJ5.6B-T2     | ZENER DIODE     |             |       |
|                    | C1931      | QEZO203-107  | E CAP.          | 100μF 160V    | M      |                   | D1811           | 1SS133-T2       | SI.DIODE        |             |       |
|                    | C1933      | QETN1CM-108Z | E CAP.          | 1000μF 16V    | M      | △                 | D1901           | GSIB460-S1      | BRIDGE DIODE    |             |       |
|                    | C1934      | NDC31HJ-221X | C CAP.          | 220pF 50V     | J      |                   | D1910           | MA700A-T2       | SI.DIODE        |             |       |
|                    | C1935      | QETN1EM-108Z | E CAP.          | 1000μF 25V    | M      | △                 | D1911-13        | RGP10J-5025-T3  | SI.DIODE        |             |       |
|                    | C1937      | QCZO340-102  | C CAP.          | 1000pF        |        |                   | D1914           | 1SS133-T2       | SI.DIODE        |             |       |
|                    | C1938      | QETN1CM-477Z | E CAP.          | 470μF 16V     | M      |                   | D1915           | SARS01-T2       | SI.DIODE        |             |       |
|                    | C1939      | QCB32HK-152Z | C CAP.          | 1500pF 500V   | K      |                   | D1917           | MTZJ30A-T2      | ZENER DIODE     |             |       |
|                    | C1941      | QCB32HK-102Z | C CAP.          | 1000pF 500V   | K      |                   | D1918           | MTZJ5.1C-T2     | ZENER DIODE     |             |       |
|                    | C1942      | QEHR1HM-105Z | E CAP.          | 1μF 50V       | M      |                   | D1920           | 1SS133-T2       | SI.DIODE        |             |       |
|                    | C1951      | QETN1EM-477Z | E CAP.          | 470μF 25V     | M      |                   | D1931           | RU30A-F1        | SI.DIODE        |             |       |
|                    | C1952      | QETN1CM-227Z | E CAP.          | 220pF 16V     | M      |                   | D1933           | RU3YX-LFC4      | SI.DIODE        |             |       |
|                    | C1971      | QETN1CM-107Z | E CAP.          | 100μF 16V     | M      |                   | D1935           | RU3YX-LFC4      | SI.DIODE        |             |       |
|                    | C1972      | QETN1EM-476Z | E CAP.          | 47μF 25V      | M      |                   | D1941           | MTZJ33A-T2      | ZENER DIODE     |             |       |
|                    | C1973      | QETN1HM-106Z | E CAP.          | 10μF 50V      | M      |                   | D1945           | MTZJ9.1B-T2     | ZENER DIODE     |             |       |
| △                  | C1997      | QCZ9052-102  | C CAP.          | 1000pF AC125V | K      |                   | D1952-53        | 1SS133-T2       | SI.DIODE        |             |       |
| △                  | C1998-99   | QCZ9074-103  | C CAP.          | 0.01μF AC125V | M      |                   | D1954-57        | 1SR35-400A-T2   | SI.DIODE        |             |       |
|                    |            |              |                 |               |        |                   | D1972           | MTZJ15C-T2      | ZENER DIODE     |             |       |
|                    |            |              |                 |               |        |                   | D1973           | 1SS133-T2       | SI.DIODE        |             |       |
| <b>TRANSFORMER</b> |            |              |                 |               |        | <b>TRANSISTOR</b> |                 |                 |                 |             |       |
|                    | T1501      | CE42034-002  | H.DRIVE TRANSF. |               |        | Q1011             | 2SC5083/L-P/-T  | SI.TRANSISTOR   |                 |             |       |
| △                  | T1502      | QQH0100-001  | FBT             |               |        | Q1021             | 2SC2412K/QR/-X  | SI.TRANSISTOR   |                 |             |       |
| △                  | T1921      | QQS0118-001  | SW TRANSF       |               |        | Q1024             | 2SC2412K/QR/-X  | SI.TRANSISTOR   |                 |             |       |
| △                  | T1951      | QQT0355-001  | POWER TRANSF    |               |        | Q1025             | 2SA1037AK/QR/-X | SI.TRANSISTOR   |                 |             |       |
|                    |            |              |                 |               |        | Q1041             | 2SA1037AK/QR/-X | SI.TRANSISTOR   |                 |             |       |
|                    |            |              |                 |               |        | Q1131-33          | 2SC2412K/QR/-X  | SI.TRANSISTOR   |                 |             |       |
|                    |            |              |                 |               |        | Q1150             | 2SA1037AK/QR/-X | SI.TRANSISTOR   |                 |             |       |
|                    |            |              |                 |               |        | Q1232-33          | 2SC2412K/QR/-X  | SI.TRANSISTOR   |                 |             |       |
|                    |            |              |                 |               |        | Q1352             | 2SC2412K/QR/-X  | SI.TRANSISTOR   |                 |             |       |
|                    |            |              |                 |               |        | Q1431             | UN2212-X        | DEGI.TRANSISTOR |                 |             |       |
|                    |            |              |                 |               |        | Q1501             | 2SC4212/Z1/     | SI.TRANSISTOR   |                 |             |       |
|                    |            |              |                 |               |        | △                 | Q1511           | 2SD2645-YD      | TRANSISTOR      |             |       |
|                    |            |              |                 |               |        | Q1531             | 2SC2785/JH/-T   | SI.TRANSISTOR   |                 |             |       |
|                    |            |              |                 |               |        | Q1532             | 2SA1037AK/QR/-X | SI.TRANSISTOR   |                 |             |       |
|                    |            |              |                 |               |        | △                 | Q1541-42        | 2SA1037AK/QR/-X | SI.TRANSISTOR   |             |       |
|                    |            |              |                 |               |        | △                 | Q1543           | 2SD1408/OY/-LB  | SI.TRANSISTOR   |             |       |
|                    |            |              |                 |               |        | Q1621             | UN2212-X        | DEGI.TRANSISTOR |                 |             |       |
|                    |            |              |                 |               |        | Q1622             | 2SC2412K/QR/-X  | SI.TRANSISTOR   |                 |             |       |
|                    |            |              |                 |               |        | Q1623             | UN2212-X        | DEGI.TRANSISTOR |                 |             |       |
|                    |            |              |                 |               |        | Q1700             | 2SC2412K/QR/-X  | SI.TRANSISTOR   |                 |             |       |
|                    |            |              |                 |               |        | Q1701             | 2SA1037AK/QR/-X | SI.TRANSISTOR   |                 |             |       |
|                    |            |              |                 |               |        | Q1706             | 2SC2412K/QR/-X  | SI.TRANSISTOR   |                 |             |       |
|                    |            |              |                 |               |        | Q1711             | UN2212-X        | DEGI.TRANSISTOR |                 |             |       |
|                    |            |              |                 |               |        | Q1810             | UN2213-X        | DIGI TRANSISTOR |                 |             |       |
|                    |            |              |                 |               |        | Q1951             | 2SD1383K/AB/-X  | SI.TRANSISTOR   |                 |             |       |
|                    |            |              |                 |               |        | Q1971             | 2SA1208/ST/Z1-T | SI.TRANSISTOR   |                 |             |       |
| <b>COIL</b>        |            |              |                 |               |        | <b>IC</b>         |                 |                 |                 |             |       |
| △                  | L1001      | QQL244K-560Z | COIL            | 56μH          | K      | △                 | IC1101          | TB1253AN        | I.C(M)          |             |       |
|                    | L1012      | QQL2014-R39  | COIL            | 0.39μH        |        | △                 | IC1421          | LA7841          | I.C(MONO-ANA)   |             |       |
|                    | L1021      | QRN143J-0R0X | C R             | 0.0Ω          | 1/4W J | △                 | IC1621          | LA4485          | I.C(MONO-ANA)   |             |       |
|                    | L1022      | QQL244K-220Z | COIL            | 22μH          | K      |                   | IC1701          | MN1876478JW     | I.C(MICRO-COMP) |             |       |
|                    | L1027      | QRN143J-0R0X | C R             | 0.0Ω          | 1/4W J |                   | IC1702          | AT24C04-GC1     | I.C(MEMORY-OTH) | (SERVICE)   |       |
|                    | L1041      | QRN143J-0R0X | C R             | 0.0Ω          | 1/4W J |                   |                 |                 |                 |             |       |
|                    | L1042      | QQL244K-220Z | COIL            | 22μH          | K      |                   |                 |                 |                 |             |       |
|                    | L1101      | QQL244K-470Z | COIL            | 47μH          | K      |                   |                 |                 |                 |             |       |
|                    | L1232      | QQL244K-560Z | COIL            | 56μH          | K      |                   |                 |                 |                 |             |       |
| △                  | L1511      | QQR1027-003  | LINE FILTER     |               |        |                   |                 |                 |                 |             |       |
|                    | L1512      | QQLZ027-821  | CHOKE COIL      | 820μH         |        |                   |                 |                 |                 |             |       |
| △                  | L1521      | QQLZ018-560  | HEATER CHOKE    | 56μH          |        |                   |                 |                 |                 |             |       |
|                    | L1700      | QQL244K-4R7Z | COIL            | 4.7μH         | K      |                   |                 |                 |                 |             |       |
|                    | L1810      | QQL244J-100Z | COIL            | 10μH          | J      |                   |                 |                 |                 |             |       |
|                    | L1931      | QQL26AK-470Z | COIL            | 47μH          | K      |                   |                 |                 |                 |             |       |
|                    | L1933      | QQL26AK-470Z | COIL            | 47μH          | K      |                   |                 |                 |                 |             |       |
|                    | L1940      | QQR0582-001Z | BEADS CORE      |               |        |                   |                 |                 |                 |             |       |
| <b>DIODE</b>       |            |              |                 |               |        |                   |                 |                 |                 |             |       |
|                    | D1010      | MTZJ9.1C-T2  | ZENER DIODE     |               |        |                   |                 |                 |                 |             |       |
|                    | D1101-02   | MTZJ5.6B-T2  | ZENER DIODE     |               |        |                   |                 |                 |                 |             |       |
|                    | D1305-10   | 1SS133-T2    | SI.DIODE        |               |        |                   |                 |                 |                 |             |       |
|                    | D1352      | MTZJ9.1C-T2  | ZENER DIODE     |               |        |                   |                 |                 |                 |             |       |
|                    | D1353      | 1SS133-T2    | SI.DIODE        |               |        |                   |                 |                 |                 |             |       |
|                    | D1421      | 1N4003-T2    | SI.DIODE        |               |        |                   |                 |                 |                 |             |       |
|                    | D1422      | MTZJ75-T2    | ZENER DIODE     |               |        |                   |                 |                 |                 |             |       |
|                    | D1424      | 1SS133-T2    | SI.DIODE        |               |        |                   |                 |                 |                 |             |       |
|                    | D1501      | RH3G-F1      | SI.DIODE        |               |        |                   |                 |                 |                 |             |       |
| △                  | D1502      | RU3AM-LFC4   | SI.DIODE        |               |        |                   |                 |                 |                 |             |       |
|                    | D1521      | RH1S-T3      | SI.DIODE        |               |        |                   |                 |                 |                 |             |       |

**CRT SOCKET PW BOARD ASS'Y(SGC-3007A-M2)**

| △ Symbol No. | Part No.     | Part Name     | Description | Local |
|--------------|--------------|---------------|-------------|-------|
| <b>IC</b>    |              |               |             |       |
| IC1703       | L78LR05E-MA  | I.C(MONO-ANA) |             |       |
| IC1852       | AN7809F      | I.C(MONO-ANA) |             |       |
| IC1853       | AN7805F      | I.C(MONO-ANA) |             |       |
| △ IC1911     | STR-G6624/F8 | I.C(HYBRID)   |             |       |
| △ IC1921     | SE135N       | I.C(HYBRID)   |             |       |

**OTHERS**

|           |                 |                 |              |  |
|-----------|-----------------|-----------------|--------------|--|
| CF1001    | QAX0349-001     | CERAMIC FILTER  |              |  |
| CF1021    | QAX0639-001Z    | CERAMIC FILTER  |              |  |
| CF1041    | QAX0642-001Z    | CERAMIC FILTER  |              |  |
| △ CN10PW  | QMPD390-200-JS  | POWER CORD      |              |  |
| △ CP1932  | ICP-N70-T       | I.C.PROTECT     |              |  |
| △ CP1936  | ICP-N70-T       | I.C.PROTECT     |              |  |
| △ F1901   | QMF51U1-5R0-J8  | FUSE            |              |  |
| △ F1905   | QMFZ034-5R0Z-J1 | FUSE            |              |  |
| △ FC1901  | CEMG002-001Z    | FUSE CLIP       |              |  |
| △ FR1521  | QRK129J-150     | C R             | 15Ω 1/2W J   |  |
| △ FR1523  | QRX029J-3R3     | MF R            | 3.3Ω 2W J    |  |
| △ FR1525  | QRZ9017-4R7     | F R             | 4.7Ω 1/4W J  |  |
| J1601     | QNN0349-002     | PIN JACK        |              |  |
| J1810     | QNS0001-001     | JACK            |              |  |
| K1401     | QQR0621-002Z    | BEADS CORE      |              |  |
| K1912     | QQR0582-001Z    | BEADS CORE      |              |  |
| K1916-18  | QQR0582-001Z    | BEADS CORE      |              |  |
| K1931-33  | QQR0582-001Z    | BEADS CORE      |              |  |
| K1935     | QQR0582-001Z    | BEADS CORE      |              |  |
| K1941     | QQR0621-002Z    | BEADS CORE      |              |  |
| LC1601-03 | QQR1199-001     | FILTER          |              |  |
| △ LF1901  | QQR0527-003     | LINE FILTER     |              |  |
| △ PC1921  | TLP421F/D4-GR/  | I.C(PH.COUPLER) |              |  |
| △ RY1951  | QSK0085-001     | RELAY           |              |  |
| S1421     | QSL4A13-C02     | LEVER SWITCH    |              |  |
| SF1011    | QAX0324-002     | SAW FILTER      |              |  |
| △ TH1901  | QAD0132-3R0     | W-PTC           |              |  |
| △ TU1001  | QAU0247-001     | TUNER           |              |  |
| △ VA1901  | ERZV10V621CS    | VARISTOR        |              |  |
| W1106     | NRSA63J-0R0X    | MG R            | 0.0Ω 1/16W J |  |
| W1213     | NRSA63J-0R0X    | MG R            | 0.0Ω 1/16W J |  |
| W1265     | NRSA63J-0R0X    | MG R            | 0.0Ω 1/16W J |  |
| W1311     | NRSA63J-0R0X    | MG R            | 0.0Ω 1/16W J |  |
| W1331     | NRSA63J-0R0X    | MG R            | 0.0Ω 1/16W J |  |
| W1442-43  | NRSA63J-0R0X    | MG R            | 0.0Ω 1/16W J |  |
| W1478     | NRSA63J-0R0X    | MG R            | 0.0Ω 1/16W J |  |
| W1548-49  | NRSA63J-0R0X    | MG R            | 0.0Ω 1/16W J |  |
| W1567     | NRSA63J-0R0X    | MG R            | 0.0Ω 1/16W J |  |
| W1572     | NRSA63J-0R0X    | MG R            | 0.0Ω 1/16W J |  |
| W1579     | NRSA63J-0R0X    | MG R            | 0.0Ω 1/16W J |  |
| W1581     | NRSA63J-0R0X    | MG R            | 0.0Ω 1/16W J |  |
| W1609     | NRSA63J-0R0X    | MG R            | 0.0Ω 1/16W J |  |
| W1628     | NRSA63J-0R0X    | MG R            | 0.0Ω 1/16W J |  |
| W1636     | NRSA63J-0R0X    | MG R            | 0.0Ω 1/16W J |  |
| W1653     | NRSA63J-0R0X    | MG R            | 0.0Ω 1/16W J |  |
| W1666     | NRSA63J-0R0X    | MG R            | 0.0Ω 1/16W J |  |
| W1710     | NRSA63J-0R0X    | MG R            | 0.0Ω 1/16W J |  |
| W1716     | NRSA63J-0R0X    | MG R            | 0.0Ω 1/16W J |  |
| W1729     | NRSA63J-0R0X    | MG R            | 0.0Ω 1/16W J |  |
| W1746     | NRSA63J-0R0X    | MG R            | 0.0Ω 1/16W J |  |
| W1762     | NRSA63J-0R0X    | MG R            | 0.0Ω 1/16W J |  |
| W1764     | NRSA63J-0R0X    | MG R            | 0.0Ω 1/16W J |  |
| W1766     | NRSA63J-0R0X    | MG R            | 0.0Ω 1/16W J |  |
| W1773     | NRSA63J-0R0X    | MG R            | 0.0Ω 1/16W J |  |
| W1776     | NRSA63J-0R0X    | MG R            | 0.0Ω 1/16W J |  |
| W1784     | NRSA63J-0R0X    | MG R            | 0.0Ω 1/16W J |  |
| W1795     | NRSA63J-0R0X    | MG R            | 0.0Ω 1/16W J |  |
| W1797-98  | NRSA63J-0R0X    | MG R            | 0.0Ω 1/16W J |  |
| W1804     | NRSA63J-0R0X    | MG R            | 0.0Ω 1/16W J |  |
| W1819-21  | NRSA63J-0R0X    | MG R            | 0.0Ω 1/16W J |  |
| X1201     | CE40668-001Z    | CRYSTAL         |              |  |
| X1700     | QAX0307-001     | CER.RESONATOR   |              |  |
| Y1002-04  | NRSA63J-0R0X    | MG R            | 0.0Ω 1/16W J |  |
| Y1800     | NRSA63J-0R0X    | MG R            | 0.0Ω 1/16W J |  |
| Y1903     | NRSA63J-0R0X    | MG R            | 0.0Ω 1/16W J |  |

| △ Symbol No.  | Part No. | Part Name | Description | Local |
|---|----------|-----------|-------------|-------|
| Parts list is the same as for AV-36D202/AR. Refer to page 45. |          |           |             |       |

**FRONT CONTROL PW BOARD ASS'Y(SGC-8501A-M2)**

| △ Symbol No.  | Part No. | Part Name | Description | Local |
|---|----------|-----------|-------------|-------|
| Parts list is the same as for AV-36D202/AR. Refer to pages 45 - 46. |          |           |             |       |

**FRONT AV INPUT PW BOARD ASS'Y(SGC-8601A-M2)**

| △ Symbol No.  | Part No. | Part Name | Description | Local |
|---|----------|-----------|-------------|-------|
| Parts list is the same as for AV-36D202/AR. Refer to page 46. |          |           |             |       |

**PIP PW BOARD ASS'Y(SGC0P001A-M2)**

| △ Symbol No.    | Part No.     | Part Name | Description   | Local |
|-----------------|--------------|-----------|---------------|-------|
| <b>RESISTOR</b> |              |           |               |       |
| R0001-02        | NRSA63J-103X | MG R      | 10kΩ 1/16W J  |       |
| R0003-04        | NRSA63J-101X | MG R      | 100Ω 1/16W J  |       |
| R0005           | NRSA63J-0R0X | MG R      | 0.0Ω 1/16W J  |       |
| R0008           | NRSA63J-820X | MG R      | 82Ω 1/16W J   |       |
| R0101           | NRSA63J-562X | MG R      | 5.6kΩ 1/16W J |       |
| R0102           | NRSA63J-182X | MG R      | 1.8kΩ 1/16W J |       |
| R0103           | QRE121J-101Y | C R       | 100Ω 1/2W J   |       |
| R0104           | NRSA63J-180X | MG R      | 18Ω 1/16W J   |       |
| R0105           | NRSA63J-270X | MG R      | 27Ω 1/16W J   |       |
| R0111           | NRSA63J-224X | MG R      | 220kΩ 1/16W J |       |
| R0113           | NRSA63J-101X | MG R      | 100Ω 1/16W J  |       |
| R0114           | NRSA63J-331X | MG R      | 330Ω 1/16W J  |       |
| R0115           | NRSA63J-101X | MG R      | 100Ω 1/16W J  |       |
| R0116           | NRSA63J-680X | MG R      | 68Ω 1/16W J   |       |
| R0117           | NRSA63J-273X | MG R      | 27kΩ 1/16W J  |       |
| R0118           | NRSA63J-223X | MG R      | 22kΩ 1/16W J  |       |
| R0120           | NRSA63J-273X | MG R      | 27kΩ 1/16W J  |       |
| R0121           | NRSA63J-103X | MG R      | 10kΩ 1/16W J  |       |
| R0131           | NRSA63J-102X | MG R      | 1kΩ 1/16W J   |       |
| R0132           | NRSA63J-331X | MG R      | 330Ω 1/16W J  |       |
| R0133           | NRSA63J-821X | MG R      | 820Ω 1/16W J  |       |
| R0134           | NRSA63J-561X | MG R      | 560Ω 1/16W J  |       |
| R0135           | NRSA63J-102X | MG R      | 1kΩ 1/16W J   |       |
| R0161           | NRSA63J-332X | MG R      | 3.3kΩ 1/16W J |       |
| R0163           | NRSA63J-223X | MG R      | 22kΩ 1/16W J  |       |
| R0171           | NRSA63J-103X | MG R      | 10kΩ 1/16W J  |       |
| R0301           | NRSA63J-473X | MG R      | 47kΩ 1/16W J  |       |
| R0303           | NRSA63J-222X | MG R      | 2.2kΩ 1/16W J |       |
| R0304           | NRSA63J-473X | MG R      | 47kΩ 1/16W J  |       |
| R0306           | NRSA63J-222X | MG R      | 2.2kΩ 1/16W J |       |
| R0307           | NRSA63J-471X | MG R      | 470Ω 1/16W J  |       |
| R0309           | NRSA63J-102X | MG R      | 1kΩ 1/16W J   |       |
| R0311           | NRSA63J-101X | MG R      | 100Ω 1/16W J  |       |
| R0313           | NRSA63J-101X | MG R      | 100Ω 1/16W J  |       |
| R0314           | NRSA63J-0R0X | MG R      | 0.0Ω 1/16W J  |       |
| R0316           | NRSA63J-331X | MG R      | 330Ω 1/16W J  |       |
| R0317           | NRSA63J-0R0X | MG R      | 0.0Ω 1/16W J  |       |
| R0331           | NRSA63J-0R0X | MG R      | 0.0Ω 1/16W J  |       |
| R0337           | NRSA63J-0R0X | MG R      | 0.0Ω 1/16W J  |       |
| R0343           | NRSA63J-0R0X | MG R      | 0.0Ω 1/16W J  |       |

## AV SELECTOR PW BOARD ASS'Y(SGC0S001A-M2)

| △ Symbol No.       | Part No.        | Part Name       | Description  | Local | △ Symbol No.    | Part No.     | Part Name | Description   | Local |
|--------------------|-----------------|-----------------|--------------|-------|-----------------|--------------|-----------|---------------|-------|
| <b>CAPACITOR</b>   |                 |                 |              |       | <b>RESISTOR</b> |              |           |               |       |
| C0001              | QETN1HM-475Z    | E CAP.          | 4.7μF 50V M  |       | R0081           | NRSA63J-102X | MG R      | 1kΩ 1/16W J   |       |
| C0003              | QETN1HM-106Z    | E CAP.          | 10μF 50V M   |       | R0082           | NRSA63J-682X | MG R      | 6.8kΩ 1/16W J |       |
| C0004              | QETN1CM-107Z    | E CAP.          | 100μF 16V M  |       | R0083           | NRSA63J-153X | MG R      | 15kΩ 1/16W J  |       |
| C0006              | QETN1EM-476Z    | E CAP.          | 47μF 25V M   |       | R0084           | NRSA63J-683X | MG R      | 68kΩ 1/16W J  |       |
| C0010-11           | NDC31HJ-100X    | C CAP.          | 10pF 50V J   |       | R0085           | NRSA63J-332X | MG R      | 3.3kΩ 1/16W J |       |
| C0101-02           | NCB31HK-103X    | C CAP.          | 0.01μF 50V K |       | R0086           | NRSA63J-333X | MG R      | 33kΩ 1/16W J  |       |
| C0104-05           | NCB31HK-103X    | C CAP.          | 0.01μF 50V K |       | R0087           | NRSA63J-153X | MG R      | 15kΩ 1/16W J  |       |
| C0106              | QETN1EM-476Z    | E CAP.          | 47μF 25V M   |       | R0088           | NRSA63J-152X | MG R      | 1.5kΩ 1/16W J |       |
| C0107              | NCB31HK-103X    | C CAP.          | 0.01μF 50V K |       | R0089           | NRSA63J-562X | MG R      | 5.6kΩ 1/16W J |       |
| C0113-14           | NCB31HK-103X    | C CAP.          | 0.01μF 50V K |       | R0090           | NRSA63J-563X | MG R      | 56kΩ 1/16W J  |       |
| C0116              | QFV71HJ-224Z    | MF CAP.         | 0.22μF 50V J |       | R0151-54        | NRSA63J-223X | MG R      | 22kΩ 1/16W J  |       |
| C0117              | QETN1EM-476Z    | E CAP.          | 47μF 25V M   |       | R0155           | NRSA63J-0R0X | MG R      | 0.0Ω 1/16W J  |       |
| C0118              | NCB31HK-103X    | C CAP.          | 0.01μF 50V K |       | R0157           | NRSA63J-0R0X | MG R      | 0.0Ω 1/16W J  |       |
| C0119              | NDC31HJ-681X    | C CAP.          | 680pF 50V J  |       | R0159           | NRSA63J-103X | MG R      | 10kΩ 1/16W J  |       |
| C0120              | QETN1HM-474Z    | E CAP.          | 0.47μF 50V M |       | R0210           | NRSA63J-0R0X | MG R      | 0.0Ω 1/16W J  |       |
| C0124              | NCB31HK-103X    | C CAP.          | 0.01μF 50V K |       | R0211           | NRSA63J-153X | MG R      | 15kΩ 1/16W J  |       |
| C0131              | NCB31HK-103X    | C CAP.          | 0.01μF 50V K |       | R0212           | NRSA63J-333X | MG R      | 33kΩ 1/16W J  |       |
| C0132              | NDC31HJ-181X    | C CAP.          | 180pF 50V J  |       | R0213           | NRSA63J-102X | MG R      | 1kΩ 1/16W J   |       |
| C0161              | QETN1HM-106Z    | E CAP.          | 10μF 50V M   |       | R0214           | NRSA63J-181X | MG R      | 180Ω 1/16W J  |       |
| C0168              | NCB31HK-103X    | C CAP.          | 0.01μF 50V K |       | R0215           | NRSA63J-152X | MG R      | 1.5kΩ 1/16W J |       |
| C0301-02           | NRSA63J-0R0X    | MG R            | 0.0Ω 1/16W J |       | R0216           | NRSA63J-182X | MG R      | 1.8kΩ 1/16W J |       |
| C0312-13           | NDC31HJ-270X    | C CAP.          | 27pF 50V J   |       | R0217           | NRSA63J-102X | MG R      | 1kΩ 1/16W J   |       |
| C0314              | QETN1HM-106Z    | E CAP.          | 10μF 50V M   |       | R0218           | NRSA63J-222X | MG R      | 2.2kΩ 1/16W J |       |
| C0315              | NCB31HK-103X    | C CAP.          | 0.01μF 50V K |       | R0223           | NRSA63J-0R0X | MG R      | 0.0Ω 1/16W J  |       |
| C0316-18           | NCB31EK-104X    | C CAP.          | 0.1μF 25V K  |       | R0229           | NRSA63J-473X | MG R      | 47kΩ 1/16W J  |       |
| C0319              | QETN1HM-106Z    | E CAP.          | 10μF 50V M   |       | R0230           | NRSA63J-223X | MG R      | 22kΩ 1/16W J  |       |
| C0320              | NCB31HK-103X    | C CAP.          | 0.01μF 50V K |       | R0231           | NRSA63J-101X | MG R      | 100Ω 1/16W J  |       |
| C0321              | QETN1HM-105Z    | E CAP.          | 1μF 50V M    |       | R0232           | NRSA63J-102X | MG R      | 1kΩ 1/16W J   |       |
| C0322              | NCB31HK-103X    | C CAP.          | 0.01μF 50V K |       | R0233           | NRSA63J-272X | MG R      | 2.7kΩ 1/16W J |       |
| C0323              | QETN1HM-106Z    | E CAP.          | 10μF 50V M   |       | R0234           | NRSA63J-102X | MG R      | 1kΩ 1/16W J   |       |
| C0324-25           | NCB31HK-103X    | C CAP.          | 0.01μF 50V K |       | R0235-36        | NRSA63J-101X | MG R      | 100Ω 1/16W J  |       |
| C0326              | NCB31EK-104X    | C CAP.          | 0.1μF 25V K  |       | R0238           | NRSA63J-822X | MG R      | 8.2kΩ 1/16W J |       |
| C0327              | QETN1HM-225Z    | E CAP.          | 2.2μF 50V M  |       | R0239           | NRSA63J-123X | MG R      | 12kΩ 1/16W J  |       |
| C0328              | NCB31HK-103X    | C CAP.          | 0.01μF 50V K |       | R0241           | NRSA63J-821X | MG R      | 820Ω 1/16W J  |       |
| C0329              | QETN1HM-225Z    | E CAP.          | 2.2μF 50V M  |       | R0242           | NRSA63J-474X | MG R      | 470kΩ 1/16W J |       |
| C0330              | NCB31HK-103X    | C CAP.          | 0.01μF 50V K |       | R0243-44        | NRSA63J-103X | MG R      | 10kΩ 1/16W J  |       |
| C0331              | NCB31EK-104X    | C CAP.          | 0.1μF 25V K  |       | R0251           | NRSA63J-471X | MG R      | 470Ω 1/16W J  |       |
| <b>TRANSFORMER</b> |                 |                 |              |       | R0253           | NRSA63J-681X | MG R      | 680Ω 1/16W J  |       |
| T0111              | QQR0907-001     | I.F.TRANSFORMER |              |       | R0254-55        | NRSA63J-0R0X | MG R      | 0.0Ω 1/16W J  |       |
| <b>COIL</b>        |                 |                 |              |       | R0258           | NRSA63J-101X | MG R      | 100Ω 1/16W J  |       |
| L0001              | QQL244K-560Z    | COIL            | 56μH K       |       | R0259           | NRSA63J-222X | MG R      | 2.2kΩ 1/16W J |       |
| L0101              | QQLZ014-R22     | COIL            | 0.22μH K     |       | R0261           | NRSA63J-101X | MG R      | 100Ω 1/16W J  |       |
| L0113              | QQL244K-4R7Z    | COIL            | 4.7μH K      |       | R0262           | NRSA63J-222X | MG R      | 2.2kΩ 1/16W J |       |
| L0131              | QQL244K-150Z    | COIL            | 15μH K       |       | R0263           | NRSA63J-471X | MG R      | 470Ω 1/16W J  |       |
| L0302-04           | QQL244J-6R8Z    | COIL            | 6.8μH J      |       | R0265           | NRSA63J-102X | MG R      | 1kΩ 1/16W J   |       |
| <b>DIODE</b>       |                 |                 |              |       | R0269-70        | NRSA63J-0R0X | MG R      | 0.0Ω 1/16W J  |       |
| D0301              | 1SS133-T2       | SI.DIODE        |              |       | R0331-34        | NRSA63J-101X | MG R      | 100Ω 1/16W J  |       |
| <b>TRANSISTOR</b>  |                 |                 |              |       | R0371-74        | NRSA63J-103X | MG R      | 10kΩ 1/16W J  |       |
| Q0101              | 2SC5083/L-P/T   | SI.TRANSISTOR   |              |       | R0375-76        | NRSA63J-333X | MG R      | 33kΩ 1/16W J  |       |
| Q0131              | 2SA1037AK/QR/-X | SI.TRANSISTOR   |              |       | R0377-78        | NRSA63J-472X | MG R      | 4.7kΩ 1/16W J |       |
| Q0301-03           | 2SC2412K/QR/-X  | SI.TRANSISTOR   |              |       | R0381           | NRSA63J-562X | MG R      | 5.6kΩ 1/16W J |       |
| <b>IC</b>          |                 |                 |              |       | R0382           | NRSA63J-223X | MG R      | 22kΩ 1/16W J  |       |
| IC0101             | M52342SP        | I.C.(MONO-ANA)  |              |       | R0384-87        | NRSA63J-223X | MG R      | 22kΩ 1/16W J  |       |
| IC0301             | SDA9389X-X      | I.C.(DIG-MOS)   |              |       | R0391-92        | NRSA63J-221X | MG R      | 220Ω 1/16W J  |       |
| <b>OTHERS</b>      |                 |                 |              |       | R0393-94        | NRSA63J-823X | MG R      | 82kΩ 1/16W J  |       |
| CF0131             | QAX0639-001Z    | CERAMIC FILTER  |              |       | R0395-96        | NRSA63J-221X | MG R      | 220Ω 1/16W J  |       |
| SF0101             | CE42589-201     | SAW FILTER      |              |       | R0501           | NRSA63J-102X | MG R      | 1kΩ 1/16W J   |       |
| TU0001             | QAU0228-001     | TUNER           |              |       | R0502-03        | NRSA63J-820X | MG R      | 82Ω 1/16W J   |       |
| W0090-92           | NRSA63J-0R0X    | MG R            | 0.0Ω 1/16W J |       | R0504           | NRSA63J-750X | MG R      | 75Ω 1/16W J   |       |
| X0301              | QAX0521-001Z    | CRYSTAL         |              |       | R0505           | NRSA63J-823X | MG R      | 82kΩ 1/16W J  |       |
| Y0301-02           | NRSA63J-0R0X    | MG R            | 0.0Ω 1/16W J |       | R0506           | NRSA63J-102X | MG R      | 1kΩ 1/16W J   |       |
| Y0331-33           | NRSA63J-0R0X    | MG R            | 0.0Ω 1/16W J |       | R0507           | NRSA63J-823X | MG R      | 82kΩ 1/16W J  |       |
|                    |                 |                 |              |       | R0508-09        | NRSA63J-102X | MG R      | 1kΩ 1/16W J   |       |
|                    |                 |                 |              |       | R0510-11        | NRSA63J-820X | MG R      | 82Ω 1/16W J   |       |
|                    |                 |                 |              |       | R0512           | NRSA63J-823X | MG R      | 82kΩ 1/16W J  |       |
|                    |                 |                 |              |       | R0513           | NRSA63J-102X | MG R      | 1kΩ 1/16W J   |       |
|                    |                 |                 |              |       | R0514           | NRSA63J-823X | MG R      | 82kΩ 1/16W J  |       |
|                    |                 |                 |              |       | R0515           | NRSA63J-102X | MG R      | 1kΩ 1/16W J   |       |
|                    |                 |                 |              |       | R0521-22        | NRSA63J-152X | MG R      | 1.5kΩ 1/16W J |       |
|                    |                 |                 |              |       | R0524-25        | NRSA63J-182X | MG R      | 1.8kΩ 1/16W J |       |
|                    |                 |                 |              |       | R0526           | NRSA63J-103X | MG R      | 10kΩ 1/16W J  |       |
|                    |                 |                 |              |       | R0527           | NRSA63J-273X | MG R      | 27kΩ 1/16W J  |       |

| △ Symbol No.    | Part No.     | Part Name | Description   | Local |
|-----------------|--------------|-----------|---------------|-------|
| <b>RESISTOR</b> |              |           |               |       |
| R0528           | NRSA63J-183X | MG R      | 18kΩ 1/16W J  |       |
| R0529           | NRSA63J-562X | MG R      | 5.6kΩ 1/16W J |       |
| R0533-34        | NRSA63J-152X | MG R      | 1.5kΩ 1/16W J |       |
| R0536-37        | NRSA63J-182X | MG R      | 1.8kΩ 1/16W J |       |
| R0538           | NRSA63J-103X | MG R      | 10kΩ 1/16W J  |       |
| R0539           | NRSA63J-273X | MG R      | 27kΩ 1/16W J  |       |
| R0540           | NRSA63J-183X | MG R      | 18kΩ 1/16W J  |       |
| R0541           | NRSA63J-562X | MG R      | 5.6kΩ 1/16W J |       |
| R0542           | NRSA63J-821X | MG R      | 820Ω 1/16W J  |       |
| R0543-44        | NRSA63J-182X | MG R      | 1.8kΩ 1/16W J |       |
| R0546           | NRSA63J-273X | MG R      | 27kΩ 1/16W J  |       |
| R0547           | NRSA63J-223X | MG R      | 22kΩ 1/16W J  |       |
| R0548           | NRSA63J-222X | MG R      | 2.2kΩ 1/16W J |       |
| R0549           | NRSA63J-471X | MG R      | 470Ω 1/16W J  |       |
| R0550           | NRSA63J-0R0X | MG R      | 0.0Ω 1/16W J  |       |
| R0551           | NRSA63J-152X | MG R      | 1.5kΩ 1/16W J |       |
| R0552           | NRSA63J-183X | MG R      | 18kΩ 1/16W J  |       |
| R0553           | NRSA63J-223X | MG R      | 22kΩ 1/16W J  |       |
| R0554           | NRSA63J-183X | MG R      | 18kΩ 1/16W J  |       |
| R0555           | NRSA63J-223X | MG R      | 22kΩ 1/16W J  |       |
| R0558           | NRSA63J-223X | MG R      | 22kΩ 1/16W J  |       |
| R0559           | NRSA63J-562X | MG R      | 5.6kΩ 1/16W J |       |
| R0560           | NRSA63J-221X | MG R      | 220Ω 1/16W J  |       |
| R0561           | NRSA63J-222X | MG R      | 2.2kΩ 1/16W J |       |
| R0562           | NRSA63J-471X | MG R      | 470Ω 1/16W J  |       |
| R0565           | NRSA63J-223X | MG R      | 22kΩ 1/16W J  |       |
| R0566           | NRSA63J-0R0X | MG R      | 0.0Ω 1/16W J  |       |
| R0567           | NRSA63J-152X | MG R      | 1.5kΩ 1/16W J |       |
| R0568           | NRSA63J-183X | MG R      | 18kΩ 1/16W J  |       |
| R0569           | NRSA63J-103X | MG R      | 10kΩ 1/16W J  |       |
| R0570           | NRSA63J-152X | MG R      | 1.5kΩ 1/16W J |       |
| R0571           | NRSA63J-0R0X | MG R      | 0.0Ω 1/16W J  |       |
| R0572           | NRSA63J-562X | MG R      | 5.6kΩ 1/16W J |       |
| R0574           | NRSA63J-471X | MG R      | 470Ω 1/16W J  |       |

**CAPACITOR**

|          |              |           |               |  |
|----------|--------------|-----------|---------------|--|
| C0081    | NCB21HK-104X | C CAP.    | 0.1μF 50V K   |  |
| C0082    | QENC1HM-475Z | BP E CAP. | 4.7μF 50V M   |  |
| C0083    | QENC1HM-105Z | E CAP.    | 1μF 50V M     |  |
| C0084    | QETN1HM-225Z | E CAP.    | 2.2μF 50V M   |  |
| C0085    | NCB21HK-473X | C CAP.    | 0.047μF 50V K |  |
| C0086    | QETN1HM-474Z | E CAP.    | 0.47μF 50V M  |  |
| C0087-88 | NCB21HK-104X | C CAP.    | 0.1μF 50V K   |  |
| C0089    | QETN1HM-335Z | E CAP.    | 3.3μF 50V M   |  |
| C0090    | QETN1HM-105Z | E CAP.    | 1μF 50V M     |  |
| C0091    | QETN1HM-106Z | E CAP.    | 10μF 50V M    |  |
| C0092-93 | QETN1HM-105Z | E CAP.    | 1μF 50V M     |  |
| C0094    | QETN1HM-475Z | E CAP.    | 4.7μF 50V M   |  |
| C0095    | QETN1HM-105Z | E CAP.    | 1μF 50V M     |  |
| C0151-52 | QENC1HM-105Z | E CAP.    | 1μF 50V M     |  |
| C0153-54 | NCB31HK-332X | C CAP.    | 3300pF 50V K  |  |
| C0155-56 | NCB21HK-333X | C CAP.    | 0.033μF 50V K |  |
| C0157-58 | QETN1HM-106Z | E CAP.    | 10μF 50V M    |  |
| C0159    | QETN1EM-476Z | E CAP.    | 47μF 25V M    |  |
| C0160    | NCB21HK-104X | C CAP.    | 0.1μF 50V K   |  |
| C0205    | QETN1HM-476Z | E CAP.    | 47μF 50V M    |  |
| C0206    | NCB31HK-103X | C CAP.    | 0.01μF 50V K  |  |
| C0211    | QETN1HM-106Z | E CAP.    | 10μF 50V M    |  |
| C0212    | NDC31HJ-101X | C CAP.    | 100pF 50V J   |  |
| C0213    | NDC31HJ-470X | C CAP.    | 47pF 50V J    |  |
| C0214    | NDC31HJ-181X | C CAP.    | 180pF 50V J   |  |
| C0215    | QETN1HM-474Z | E CAP.    | 0.47μF 50V M  |  |
| C0223    | NCB31HK-103X | C CAP.    | 0.01μF 50V K  |  |
| C0226    | NCB31HK-103X | C CAP.    | 0.01μF 50V K  |  |
| C0231-33 | QETN1HM-106Z | E CAP.    | 10μF 50V M    |  |
| C0234    | NCB31HK-103X | C CAP.    | 0.01μF 50V K  |  |
| C0235    | QETN1HM-106Z | E CAP.    | 10μF 50V M    |  |
| C0236    | NCB31HK-103X | C CAP.    | 0.01μF 50V K  |  |
| C0237    | NCB31HK-472X | C CAP.    | 4700pF 50V K  |  |
| C0238-39 | NCB31HK-103X | C CAP.    | 0.01μF 50V K  |  |
| C0241-45 | NCB31HK-103X | C CAP.    | 0.01μF 50V K  |  |

| △ Symbol No.     | Part No.     | Part Name | Description   | Local |
|------------------|--------------|-----------|---------------|-------|
| <b>CAPACITOR</b> |              |           |               |       |
| C0246            | NDC31HJ-181X | C CAP.    | 180pF 50V J   |       |
| C0247-49         | NCB31HK-103X | C CAP.    | 0.01μF 50V K  |       |
| C0251            | QETN1HM-476Z | E CAP.    | 47μF 50V M    |       |
| C0252            | NCB31HK-103X | C CAP.    | 0.01μF 50V K  |       |
| C0253            | NRSA63J-222X | MG R      | 2.2kΩ 1/16W J |       |
| C0255            | NDC31HJ-390X | C CAP.    | 39pF 50V J    |       |
| C0261            | NRSA63J-222X | MG R      | 2.2kΩ 1/16W J |       |
| C0263            | NDC31HJ-150X | C CAP.    | 15pF 50V J    |       |
| C0331            | QETN1CM-107Z | E CAP.    | 100μF 16V M   |       |
| C0332            | NCB31HK-103X | C CAP.    | 0.01μF 50V K  |       |
| C0333            | QETN1EM-476Z | E CAP.    | 47μF 25V M    |       |
| C0334            | NCB21HK-273X | C CAP.    | 0.027μF 50V K |       |
| C0335            | QETN1HM-225Z | E CAP.    | 2.2μF 50V M   |       |
| C0336            | NCB31HK-222X | C CAP.    | 2200pF 50V K  |       |
| C0337            | NCB21HK-104X | C CAP.    | 0.1μF 50V K   |       |
| C0338            | QETN1HM-225Z | E CAP.    | 2.2μF 50V M   |       |
| C0339            | NCB31HK-222X | C CAP.    | 2200pF 50V K  |       |
| C0340            | NCB21HK-104X | C CAP.    | 0.1μF 50V K   |       |
| C0343            | QETN1HM-105Z | E CAP.    | 1μF 50V M     |       |
| C0371-72         | QENC1HM-105Z | E CAP.    | 1μF 50V M     |       |
| C0373            | QETN1EM-476Z | E CAP.    | 47μF 25V M    |       |
| C0391-92         | QETN1HM-474Z | E CAP.    | 0.47μF 50V M  |       |
| C0501-03         | QETN1HM-106Z | E CAP.    | 10μF 50V M    |       |
| C0504-05         | QETN1HM-105Z | E CAP.    | 1μF 50V M     |       |
| C0506            | QETN1EM-476Z | E CAP.    | 47μF 25V M    |       |
| C0507            | QENC1CM-106Z | E CAP.    | 10μF 16V M    |       |
| C0508-09         | QETN1HM-106Z | E CAP.    | 10μF 50V M    |       |
| C0510-11         | QENC1CM-106Z | E CAP.    | 10μF 16V M    |       |
| C0512-14         | QETN1HM-106Z | E CAP.    | 10μF 50V M    |       |
| C0515-16         | QETN1HM-105Z | E CAP.    | 1μF 50V M     |       |
| C0518            | NCB31HK-103X | C CAP.    | 0.01μF 50V K  |       |
| C0519            | QETN1EM-476Z | E CAP.    | 47μF 25V M    |       |
| C0520            | QETN1HM-106Z | E CAP.    | 10μF 50V M    |       |
| C0521-23         | QETN1EM-476Z | E CAP.    | 47μF 25V M    |       |
| C0524            | QENC1CM-106Z | E CAP.    | 10μF 16V M    |       |
| C0527            | NCB31HK-103X | C CAP.    | 0.01μF 50V K  |       |
| C0528            | QETN1EM-476Z | E CAP.    | 47μF 25V M    |       |
| C0531-32         | NCB31HK-103X | C CAP.    | 0.01μF 50V K  |       |

**COIL**

|          |              |      |       |   |
|----------|--------------|------|-------|---|
| L0202    | QLL244K-150Z | COIL | 15μH  | K |
| L0211    | QLL244K-4R7Z | COIL | 4.7μH | K |
| L0242-43 | QLL244K-4R7Z | COIL | 4.7μH | K |
| L0261    | QLL244K-150Z | COIL | 15μH  | K |

**DIODE**

|          |             |             |  |  |
|----------|-------------|-------------|--|--|
| D0391-92 | MTZJ9.1C-T2 | ZENER DIODE |  |  |
| D0501-16 | MTZJ9.1C-T2 | ZENER DIODE |  |  |

**TRANSISTOR**

|          |                 |                 |  |  |
|----------|-----------------|-----------------|--|--|
| Q0211-12 | 2SC2412K/QR/-X  | SI TRANSISTOR   |  |  |
| Q0218    | 2SC2412K/QR/-X  | SI TRANSISTOR   |  |  |
| Q0219    | 2SA1037AK/QR/-X | SI TRANSISTOR   |  |  |
| Q0251    | 2SC2412K/QR/-X  | SI TRANSISTOR   |  |  |
| Q0253    | 2SC2412K/QR/-X  | SI TRANSISTOR   |  |  |
| Q0261-62 | 2SC2412K/QR/-X  | SI TRANSISTOR   |  |  |
| Q0381-82 | UN2212-X        | DEGI TRANSISTOR |  |  |
| Q0384-87 | DTC323TK-X      | DIGI TRANSISTOR |  |  |
| Q0501-06 | 2SC2412K/QR/-X  | SI TRANSISTOR   |  |  |
| Q0507    | 2SA1037AK/QR/-X | SI TRANSISTOR   |  |  |
| Q0508-09 | 2SC2412K/QR/-X  | SI TRANSISTOR   |  |  |
| Q0510-13 | UN2212-X        | DEGI TRANSISTOR |  |  |

| △ Symbol No.  | Part No.     | Part Name     | Description | Local | △ Symbol No. | Part No. | Part Name | Description | Local |
|---------------|--------------|---------------|-------------|-------|--------------|----------|-----------|-------------|-------|
| <b>IC</b>     |              |               |             |       |              |          |           |             |       |
| IC0001        | UPC1851BCU   | I.C(MONO-ANA) |             |       |              |          |           |             |       |
| IC0151        | NJM2150AD    | I.C(MONO-ANA) |             |       |              |          |           |             |       |
| IC0201        | TC90A53N     | I.C(DIGI-MOS) |             |       |              |          |           |             |       |
| IC0371        | BA15218N     | I.C(MONO-ANA) |             |       |              |          |           |             |       |
| IC0381        | TC4066BP/N/  | I.C(DIGI-MOS) |             |       |              |          |           |             |       |
| IC0501        | BA7644AN     | I.C(MONO-ANA) |             |       |              |          |           |             |       |
| IC0502        | BA7649A      | I.C(MONO-ANA) |             |       |              |          |           |             |       |
| IC0503-04     | TC4066BP/N/  | I.C(DIGI-MOS) |             |       |              |          |           |             |       |
| <b>OTHERS</b> |              |               |             |       |              |          |           |             |       |
| J0501         | QNZ0454-001  | PIN JACK      |             |       |              |          |           |             |       |
| J0502         | QNZ0531-001  | AV JACK       |             |       |              |          |           |             |       |
| J0503         | QNN0348-001  | PIN JACK      |             |       |              |          |           |             |       |
| W0060         | NRSA63J-OR0X | MG R          | 0.0Ω        | 1/16W | J            |          |           |             |       |
| W0105         | NRSA63J-OR0X | MG R          | 0.0Ω        | 1/16W | J            |          |           |             |       |
| W0116         | NRSA63J-OR0X | MG R          | 0.0Ω        | 1/16W | J            |          |           |             |       |
| W0165         | NRSA63J-OR0X | MG R          | 0.0Ω        | 1/16W | J            |          |           |             |       |
| W0200-01      | NRSA63J-OR0X | MG R          | 0.0Ω        | 1/16W | J            |          |           |             |       |
| W0254         | NRSA63J-OR0X | MG R          | 0.0Ω        | 1/16W | J            |          |           |             |       |
| W0273         | NRSA63J-OR0X | MG R          | 0.0Ω        | 1/16W | J            |          |           |             |       |
| W0275         | NRSA63J-OR0X | MG R          | 0.0Ω        | 1/16W | J            |          |           |             |       |
| W0277-78      | NRSA63J-OR0X | MG R          | 0.0Ω        | 1/16W | J            |          |           |             |       |
| W0284-86      | NRSA63J-OR0X | MG R          | 0.0Ω        | 1/16W | J            |          |           |             |       |
| W0290         | NRSA63J-OR0X | MG R          | 0.0Ω        | 1/16W | J            |          |           |             |       |
| W0292         | NRSA63J-OR0X | MG R          | 0.0Ω        | 1/16W | J            |          |           |             |       |
| W0302         | NRSA63J-OR0X | MG R          | 0.0Ω        | 1/16W | J            |          |           |             |       |
| W0304-06      | NRSA63J-OR0X | MG R          | 0.0Ω        | 1/16W | J            |          |           |             |       |
| W0309         | NRSA63J-OR0X | MG R          | 0.0Ω        | 1/16W | J            |          |           |             |       |
| W0316         | NRSA63J-OR0X | MG R          | 0.0Ω        | 1/16W | J            |          |           |             |       |
| W0319         | NRSA63J-OR0X | MG R          | 0.0Ω        | 1/16W | J            |          |           |             |       |
| Y0501-06      | NRSA63J-OR0X | MG R          | 0.0Ω        | 1/16W | J            |          |           |             |       |

## REMOTE CONTROL UNIT PARTS LIST(RM-C301G-2A)

| △ Ref.No. | Part No.    | Part Name     | Description | Local |
|-----------|-------------|---------------|-------------|-------|
|           | UR52EC1286C | BATTERY COVER |             |       |

## DIFFERENCE PARTS LIST BETWEEN AV-36D502/AR, AV-36D502/AH, AV-36D502/AM AND AV-36D502/AY

The picture tubes used for the models AV-36D502/AR, AV-36D502/AH, AV-36D502/AM and AV-36D502/AY are difference. The electrical parts are also difference according to the PICTURE TUBE.

In the DIFFERENCE PARTS LIST BETWEEN AV-36D502/AR, AV-36D502/AH, AV-36D502/AM and AV-36D502/AY, only difference points between these models are written. For other parts not mentioned in the list, please refer to the PARTS LIST(P51 – P57) for the AV-36D502/AR.

## DIFFERENCE PARTS LIST

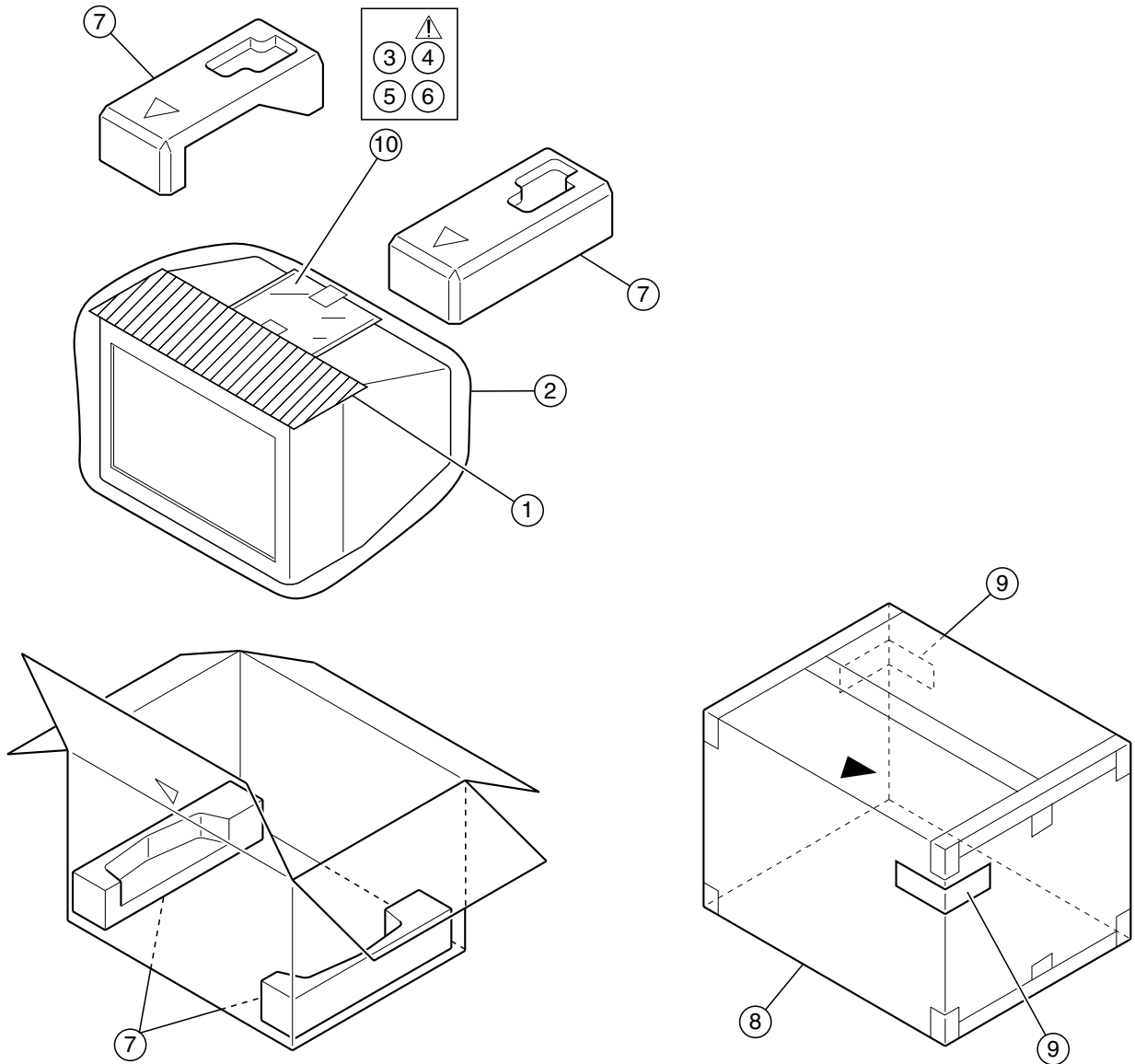
### MAIN PWB

| △ | Symbol No. | Part No.                             |                                  |                                      |                                      | Part Name       |
|---|------------|--------------------------------------|----------------------------------|--------------------------------------|--------------------------------------|-----------------|
|   |            | AV-36D502/AR                         | AV-36D502/AH                     | AV-36D502/AM                         | AV-36D502/AY                         |                 |
|   |            | <b>SGC-1008A-M2</b>                  | <b>SGC-1010A-M2</b>              | <b>SGC-1009A-M2</b>                  | <b>SGC-1007A-M2</b>                  | <b>MAIN PWB</b> |
|   | R1427      | QRT029J-1R5<br>(1.5Ω, 2W, J)         | QRT029J-1R0<br>(1Ω, 2W, J)       | ←                                    | QRT029J-1R5<br>(1.5Ω, 2W, J)         | FM R            |
|   | R1504      | QRL039J-102<br>(1kΩ, 3W, J)          | ←                                | QRL039J-821<br>(820Ω, 3W, J)         | QRL039J-102<br>(1kΩ, 3W, J)          | OM R            |
|   | R1505      | QRL039J-102<br>(1kΩ, 3W, J)          | ←                                | QRL039J-821<br>(820Ω, 3W, J)         | QRL039J-102<br>(1kΩ, 3W, J)          | OM R            |
|   | C1116      | NCB31EK-104X<br>(0.1μF, 25V, K)      | NCB31EK-104X<br>(0.1μF, 16V, K)  | ←                                    | NCB31EK-104X<br>(0.1μF, 25V, K)      | OM R            |
| △ | C1510      | QFZ0196-532<br>(5300pF, 1.5kVH, ±3%) | ←                                | QFZ0196-582<br>(5800pF, 1.5kVH, ±3%) | QFZ0196-532<br>(5300pF, 1.5kVH, ±3%) | MPP CAP.        |
| △ | C1515      | QFZ0197-624<br>(0.62μF, 250V, J)     | QFZ0197-564<br>(0.56μF, 250V, J) | QFZ0197-654<br>(0.65μF, 250V, J)     | QFZ0197-624<br>(0.62μF, 250V, J)     | MPP CAP.        |
|   | C1801      | NCB31EK-104X<br>(0.1μF, 25V, K)      | NCB31CK-104X<br>(0.1μF, 16V, K)  | NCB31EK-104X<br>(0.1μF, 25V, K)      | ←                                    | C CAP.          |
| △ | C1907      | QEZ0169-477                          | QEZ0561-477                      | QEZ0169-477                          | ←                                    | E CAP.          |
| △ | L1511      | QQR1027-003                          | ←                                | CE41029-00A                          | ←                                    | LINE FILTER     |
| △ | L1521      | QQLZ018-560<br>(56μH)                | ←                                | QQLZ026-540<br>(54μH)                | QQLZ026-600<br>(60μH)                | HEATER CHOKE    |
| △ | F1901      | QMF51U1-5R0-J8                       | ←                                | QMF51U1-5R0-J5                       | QMF51U1-5R0-J8                       | FUSE            |
| △ | TH1902     | —                                    | —                                | QAD0132-3R0                          | —                                    | W-PTC           |

### CRT SOCKET PWB

| △ | Symbol No. | Part No.            |                     |                     |                     | Part Name             |
|---|------------|---------------------|---------------------|---------------------|---------------------|-----------------------|
|   |            | AV-36D502/AR        | AV-36D502/AH        | AV-36D502/AM        | AV-36D502/AY        |                       |
|   |            | <b>SGC-3007A-M2</b> | <b>SGC-3008A-M2</b> | <b>SGC-3006A-M2</b> | <b>SGC-3010A-M2</b> | <b>CRT SOCKET PWB</b> |

# PACKING



## PACKING PARTS LIST

| △ Ref.No. | Part No.       | Part Name     | Description  | Local |
|-----------|----------------|---------------|--|-------|
| 1         | CP30055-A02-A  | TOP COVER     |  |       |
| 2         | CP30056-004-A  | POLY BAG      |  |       |
| 3         | RM-C303G-1A    | RC HAND UNIT  | (AV-36D202, AV-36D302)   |       |
| 3         | RM-C301G-2A    | RC HAND UNIT  | (AV-36D502)  |       |
| △ 4       | LCT0903-001B-A | INST BOOK     |  |       |
| 5         | BT-51020-1Q    | REGIST CARD   | (AV-36D202 /AR, AV-36D302 /AR, AV-36D502 /AR & AY)                     |       |
| 5         | BT-51028-1Q    | REGIST CARD   | (AV-36D202 /AH & AM & AY, AV-36D302 /AH & AM & AY, AV-36D502 /AH & AM) |       |
| 6         | BT-52004-1Q    | WARRANTY CARD |  |       |
| 7         | LC10645-002A-A | CUSHION ASSY  | 4pcs in 1set   |       |
| 8         | LC10181-011A-A | PACKING CASE  |  |       |
| 9         | CM36616-001-A  | CORNER LABEL  | 2pcs in 1set   |       |
| 10        | QPA02503505    | POLY BAG      |  |       |